

# 6,9 gRB-URB DIN German Standard

## German Standard

500 - 690V AC

gRB-URB FROM 20 TO 400A

Size: 000

### Features/Benefits:

- Extremely high interrupting rating
- Protection of power semiconductors according to IEC 269.1 and EN 60269.4
- 500-690V [Rating 20 to 400A]
- gR class [gRB Ratings 20 to 125A] according to VDE 636-23
  - Full range protection
  - Improved safety and protection
  - Allows selective coordination
- aR class [current rating 80 to 400A] according to VDE 636-23 and IEC 269.4
- 3 models complying with DIN 43653-00C are:
  - With or without blown fuse indication
  - With trip indicator
- Model complying with DIN 43620 (00C)
  - Standard with or without blown fuse indication
  - With trip indicator



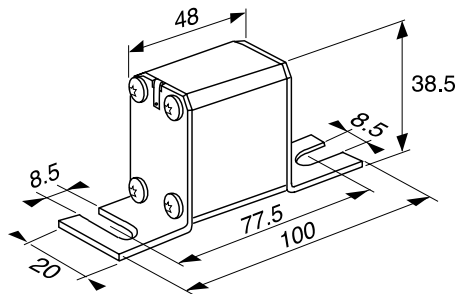
### Applications Data

Voltage Rating $U_N$ (V)	Class	Current Rating $I_N$ (A)	Melting $I^2t$ @ 1 ms (A <sup>2</sup> s)	Total Clearing $I^2t$ @ Rated Voltage (A <sup>2</sup> s)	Watts Loss		Tested Interrupting Rating	Estimated Interrupting Rating
					0.8 $I_N$	$I_N$		
690	gRB	20	12	80	3.8	7	200 kA @ 660 V	300 kA @ 660 V
		25	20	150	5.0	9		
		32	39	270	5.5	10		
		40	70	460	6.6	12		
		50	102	730	7.7	14		
		63	210	1500	8.8	16		
		80	475	2900	9.9	18		
		100	970	6000	11	20		
690	URB	80	390	2500	11.6	21	120 kA @ 500 V	
		100	690	4200	12.7	23		
		125	1300	8900	14.3	26		
		160	2700	16000	17.0	31		
		200	5250	31500	19.8	36		
660		315	15500	82000	31.9	58		
500		350	22400	110000	31.9	58		
		400	33200	160000	36.3	66		

Minimum operating voltage for blown fuse indicator: 20 V

# 6,9 gRB-URB DIN German Standard

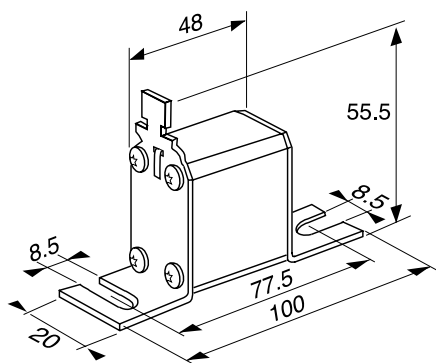
## German Standard with Blown Fuse Indication



Current Rating	Description	Cat. No.	I/N Fuse Base*
20	6,9 gRB 000 DO8V/020	P330017	1
25	6,9 gRB 000 DO8V/025	Q330018	1
32	6,9 gRB 000 DO8V/032	R330019	1
40	6,9 gRB 000 DO8V/040	S330020	1
50	6,9 gRB 000 DO8V/050	T330021	1
63	6,9 gRB 000 DO8V/063	V330022	1
80	6,9 gRB 000 DO8V/080	G330102	1
100	6,9 gRB 000 DO8V/100	Q330110	1
125	6,9 gRB 000 DO8V/125	R330111	0,9
80	6,9 URB 000 DO8V/080	W330023	1
100	6,9 URB 000 DO8V/100	X330024	1
125	6,9 URB 000 DO8V/125	Y330025	0,95
160	6,9 URB 000 DO8V/160	Z330026	0,85
200	6,9 URB 000 DO8V/200	A330027	0,85
250	6,9 URB 000 DO8V/250	B330028	0,8
315	6,9 URB 000 DO8V/315	C330029	0,7
350	5 URB 000 DO8V/350	W330115	0,7
400	5 URB 000 DO8V/400	E330192	0,65

\*Fuse Base: SI 000 DIN 80  
Ref. Number: C 220710

## German Standard with Separate Blown Fuse Trip-Indicator



Current Rating	Description	Cat. No.	I/N Fuse Base*
20	6,9 gRB 000 DO8L/020	J330173	1
25	6,9 gRB 000 DO8L/025	K330174	1
32	6,9 gRB 000 DO8L/032	L330175	1
40	6,9 gRB 000 DO8L/040	M330176	1
50	6,9 gRB 000 DO8L/050	N330177	1
63	6,9 gRB 000 DO8L/063	P330178	1
80	6,9 gRB 000 DO8L/080	Q330179	1
100	6,9 gRB 000 DO8L/100	R330180	1
125	6,9 gRB 000 DO8L/125	S330181	0,9
80	6,9 URB 000 DO8L/080	T330182	1
100	6,9 URB 000 DO8L/100	V330183	1
125	6,9 URB 000 DO8L/125	W330184	0,9
160	6,9 URB 000 DO8L/160	X330185	0,85
200	6,9 URB 000 DO8L/200	Y330186	0,85
250	6,9 URB 000 DO8L/250	Z330187	0,8
315	6,9 URB 000 DO8L/315	A330188	0,7
350	5 URB 000 DO8L/350	B330189	0,7
400	5 URB 000 DO8L/400	F330193	0,65

Microswitch  
MC 4L 2-5 B6 + PRES Ref. Number: F210156  
MC 4L 2-5 B2 + PRES Ref. Number: G210157  
\*Fuse Base: SI 000 DIN 80 Ref. Number: C220710