

Type	V_{DRM} V_{RRM} V	I_{TAV} A	I_{TRMS} A	I_{TSM} 25°C, 10 ms A	$\int i^2 dt$ 25°C, 10 ms A ² s	$(dv/dt)_{cr}$ V/ μ s	$(di/dt)_{cr}$ A/ μ s	t_q typ. μ s	$T_{I,max}$ °C	$R_{th,jc}$ K/W	Fig.
BStP65 60	900	800	1250	11050	610000	500 S10:1000	100	200	125	0,04	1
BStP65 80	1200										
BStP65 90	1350										
BStP65110	1650										
BStQ68H253	3800	400	630	5500	151000	1000	50	470	120	0,043	1
BStQ68H280	4200										
BStR63N166	2500	1080	1700	17000	1440000	1000	100	350	120	0,022	2
BStR63N186	2800										
BStR63N200	3000										
BStR65 60	900	1400	2200	24500	3000000	500 S10:1000	50	200	125	0,022	2
BStR65 80	1200										
BStR65 90	1350										
BStR65110	1650										
BStR65120	1800										
BStR66146	2200	800	1250	13400	900000	500 S10:1000	50	250	125	0,026	2
BStR66166	2500										
BStR66L146	2200	1200	1900	21500	2300000	500 S10:1000	50	300	125	0,02	2
BStR66L166	2500										
BStR68H253	3800	860	1350	14800	1100000	1000	50	470	120	0,02	2
BStR68H266	4000										
BStR68H280	4200										
BStR68L186	2800	1000	1570	19000	1800000	1000	50	350	120	0,02	2
BStR68L213	3200										
BStR68L233	3500										

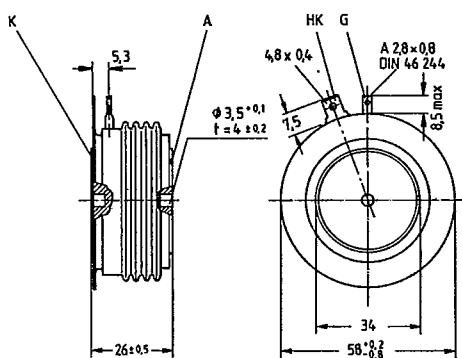


Fig. 1

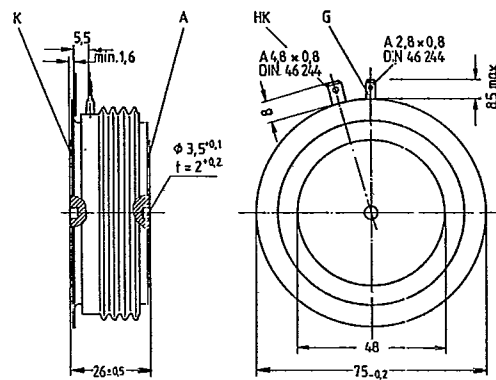


Fig. 2

Dimensions in mm