

E2 IGBT Modules

Technical specifications

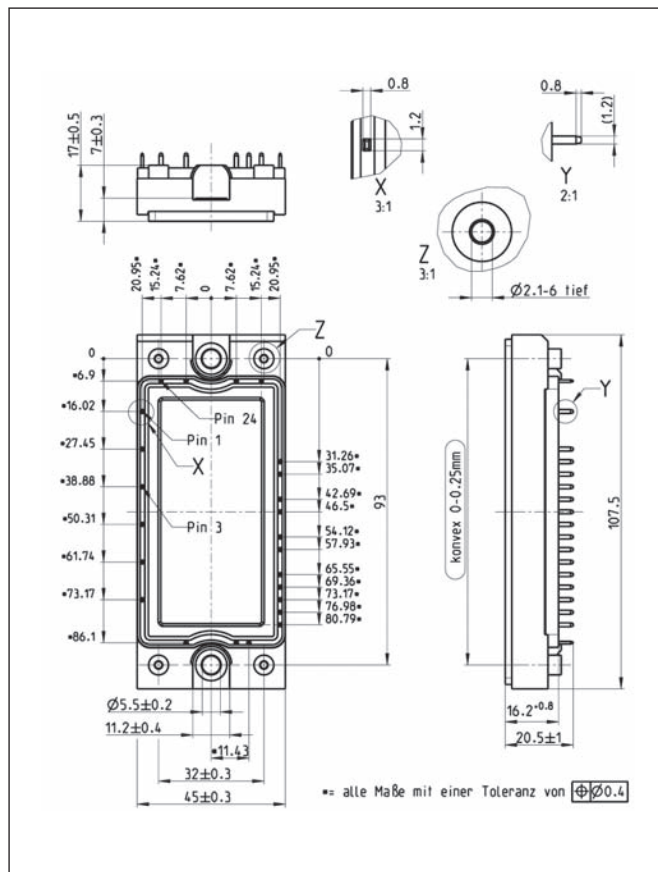
- Can be configured as
 - Power integrated module (PIM)
 - 6-pack
 - 7-pack
 - Shunts and NTC on request
 - Custom design
- Flexible pin configuration, max. 50 pins
- Dimensions:
 - Size: 45×107.5 mm
 - Pitch: 3.81 mm
- Up to 690 V line voltage
- Up to 10 kW

E2 IGBT Modules

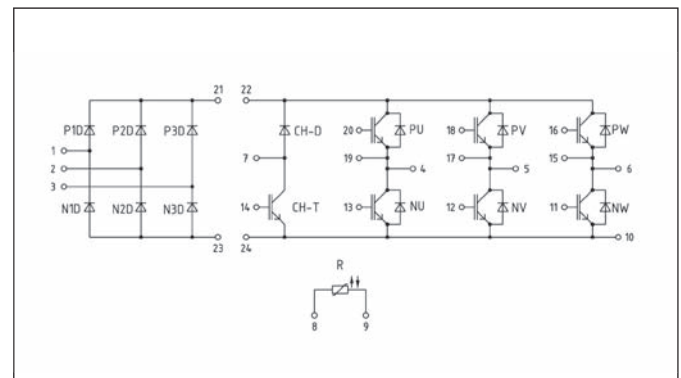
Collector Emitter Voltage V_{CE}	DC Collector Current I_C @ $T_C = 80^\circ C$	6-pack NTC	7-pack NTC	PIM no brake NTC	PIM brake NTC
600 V	10 A	DP10D600T * 1016xx	DP10E600T * 1016xx	DP10F600T 101629	DP10H600T 101622
	15 A	DP15D600T * 1016xx	DP15E600T * 1016xx	DP15F600T 101628	DP15H600T 101621
	20 A	DP20D600T * 1016xx	DP20E600T * 1016xx	DP20F600T 101627	DP20H600T 101620
	30 A	DP30D600T * 1016xx	DP30E600T * 1016xx	DP30F600T 101626	DP30H600T 101619
	50 A	DP50D600T * 1016xx	DP50E600T * 1016xx	DP50F600T * 1016xx	DP50H600T * 1016xx
1200 V	10 A	DP10D1200T * 1016xx	DP10E1200T * 1016xx	DP10F1200T 101625	DP10H1200T 101618
	15 A	DP15D1200T * 1016xx	DP15E1200T * 1016xx	DP15F1200T 101624	DP15H1200T 101617
	25 A	DP25D1200T * 1016xx	DP25E1200T * 1016xx	DP25F1200T 101623	DP25H1200T 101616
	50 A	DP50D1200T * 1016xx	-	-	-

* Types under development. Custom circuits and configurations on request.

Outline



Circuit configuration



Danfoss Silicon Power GmbH • Heinrich-Hertz-Straße 2 • 24837 Schleswig • Germany

Tel.: +49 4621 9512-0 • Fax: +49 4621 9512-310 • E-mail: dsp-info@danfoss.com • <http://siliconpower.danfoss.com>

Danfoss can accept no responsibility for possible errors in catalogues, brochures and other printed material. Danfoss reserves the right to alter its products without notice. This also applies to products already on order provided that such alterations can be made without consequential changes being necessary in specifications already agreed. All trademarks in this material are property of the respective companies. Danfoss and the Danfoss logotype are trademarks of Danfoss A/S. All rights reserved.