

# DS26LS31C/DS26LS31M

## Quad High Speed Differential Line Driver

### General Description

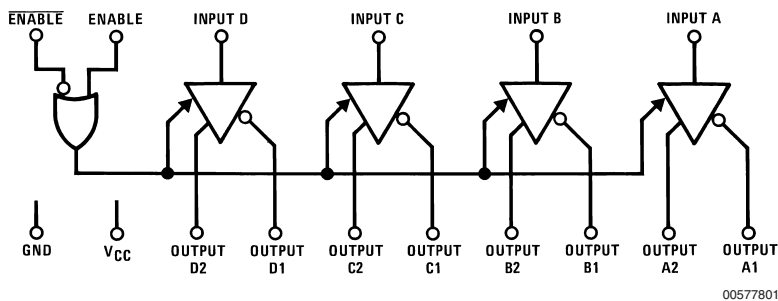
The DS26LS31 is a quad differential line driver designed for digital data transmission over balanced lines. The DS26LS31 meets all the requirements of EIA Standard RS-422 and Federal Standard 1020. It is designed to provide unipolar differential drive to twisted-pair or parallel-wire transmission lines.

The circuit provides an enable and disable function common to all four drivers. The DS26LS31 features TRI-STATE<sup>®</sup> outputs and logically ANDed complementary outputs. The inputs are all LS compatible and are all one unit load.

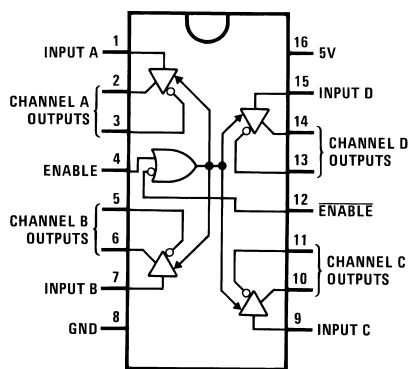
### Features

- Output skew—2.0 ns typical
- Input to output delay—10 ns typical
- Operation from single 5V supply
- Outputs won't load line when  $V_{CC} = 0V$
- Four line drivers in one package for maximum package density
- Output short-circuit protection
- Complementary outputs
- Meets the requirements of EIA Standard RS-422
- Pin compatible with AM26LS31
- Available in military and commercial temperature range

### Logic and Connection Diagrams



Dual-In-Line Package



Top View

Order Number DS26LS31CM, or DS26LS31CN

See NS Package M16A or N16E

For Complete Military Product Specifications,

refer to the appropriate SMD or MDS.

Order Number DS26LS31MJ/883, DS26LS31ME/883 or DS26LS31MW/883

See NS Package E20A, J16A or W16A

**Absolute Maximum Ratings** (Note 2)

If Military/Aerospace specified devices are required, please contact the National Semiconductor Sales Office/Distributors for availability and specifications.

Supply Voltage	7V
Input Voltage	7V
Output Voltage	5.5V
Output Voltage (Power OFF)	-0.25 to 6V
Maximum Power Dissipation (Note 1) at 25°C	
Cavity Package	1509 mW
Molded DIP Package	1476 mW
SO Package	1051 mW

**Operating Conditions**

	Min	Max	Units
Supply Voltage, $V_{CC}$			
DS26LS31M	4.5	5.5	V
DS26LS31	4.75	5.25	V
Temperature, $T_A$			
DS26LS31M	-55	+125	°C
DS26LS31	0	+70	°C

**Note 1:** Derate cavity package 10.1 mW/°C above 25°C; derate molded DIP package 11.9 mW/°C above 25°C; derate SO package 8.41 mW/°C above 25°C.

**Electrical Characteristics** (Notes 3, 4, 5)

Symbol	Parameter	Conditions	Min	Typ	Max	Units
$V_{OH}$	Output High Voltage	$I_{OH} = -20$ mA	2.5			V
$V_{OL}$	Output Low Voltage	$I_{OL} = 20$ mA			0.5	V
$V_{IH}$	Input High Voltage		2.0			V
$V_{IL}$	Input Low Voltage				0.8	V
$I_{IL}$	Input Low Current	$V_{IN} = 0.4$ V		-40	-200	μA
$I_{IH}$	Input High Current	$V_{IN} = 2.7$ V			20	μA
$I_I$	Input Reverse Current	$V_{IN} = 7$ V			0.1	mA
$I_O$	TRI-STATE Output Current	$V_O = 2.5$ V			20	μA
		$V_O = 0.5$ V			-20	μA
$V_{CL}$	Input Clamp Voltage	$I_{IN} = -18$ mA			-1.5	V
$I_{SC}$	Output Short-Circuit Current		-30		-150	mA
$I_{CC}$	Power Supply Current	All Outputs Disabled or Active		35	60	mA

**Switching Characteristics**

$V_{CC} = 5$  V,  $T_A = 25$ °C

Symbol	Parameter	Conditions	Min	Typ	Max	Units
$t_{PLH}$	Input to Output	$C_L = 30$ pF		10	15	ns
$t_{PHL}$	Input to Output	$C_L = 30$ pF		10	15	ns
Skew	Output to Output	$C_L = 30$ pF		2.0	6.0	ns
$t_{LZ}$	Enable to Output	$C_L = 10$ pF, S2 Open		15	35	ns
$t_{HZ}$	Enable to Output	$C_L = 10$ pF, S1 Open		15	25	ns
$t_{ZL}$	Enable to Output	$C_L = 30$ pF, S2 Open		20	30	ns
$t_{ZH}$	Enable to Output	$C_L = 30$ pF, S1 Open		20	30	ns

**Note 2:** "Absolute Maximum Ratings" are those values beyond which the safety of the device cannot be guaranteed. They are not meant to imply that the devices should be operated at these limits. The tables of "Electrical Characteristics" provide conditions for actual device operation.

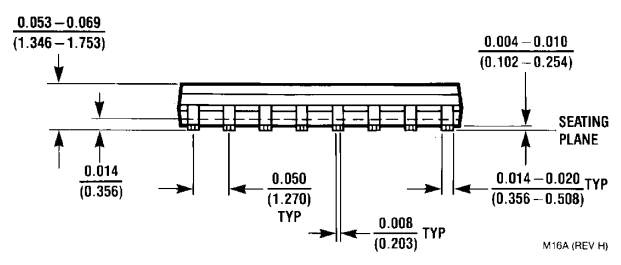
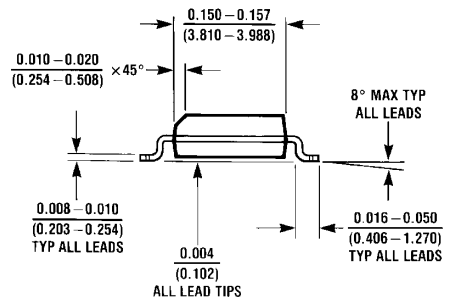
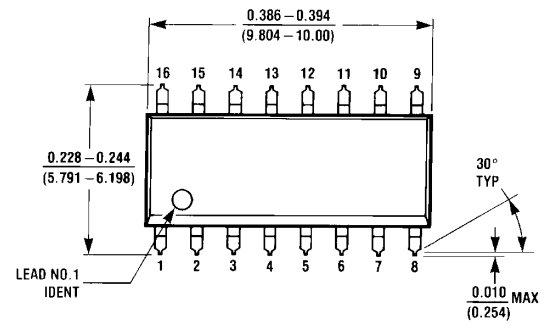
**Note 3:** Unless otherwise specified min/max limits apply across the -55°C to +125°C temperature range for the DS26LS31M and across the 0°C to +70°C range for the DS26LS31. All typicals are given for  $V_{CC} = 5$  V and  $T_A = 25$ °C.

**Note 4:** All currents into device pins are positive; all currents out of device pins are negative. All voltages are referenced to ground unless otherwise specified.

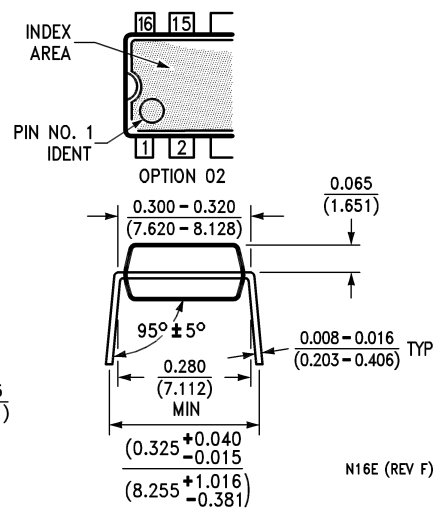
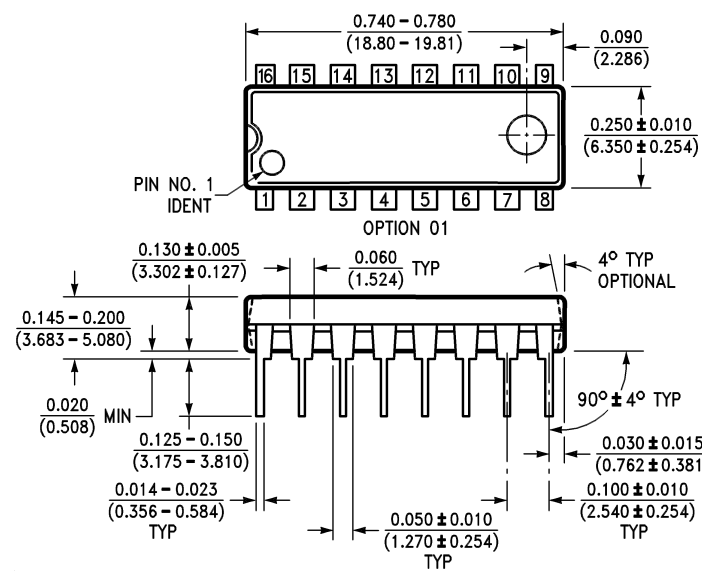
**Note 5:** Only one output at a time should be shorted.

# Physical Dimensions inches (millimeters)

unless otherwise noted

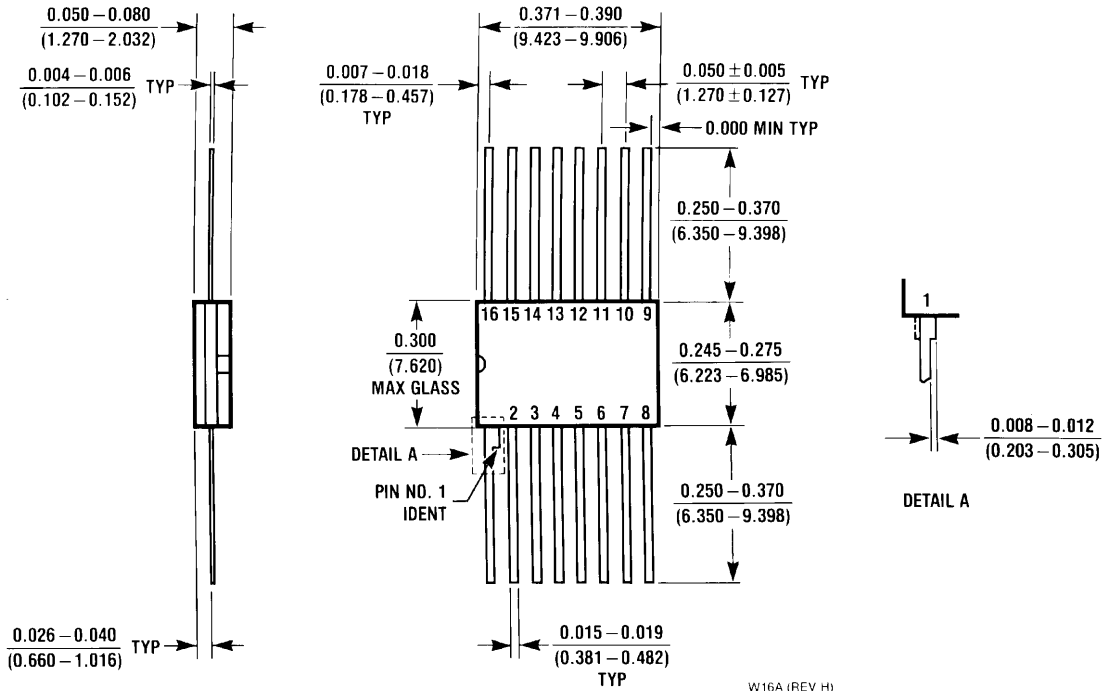


**Small Outline Package (M)**  
**Order Number DS26LS31CM**  
**NS Package Number M16A**

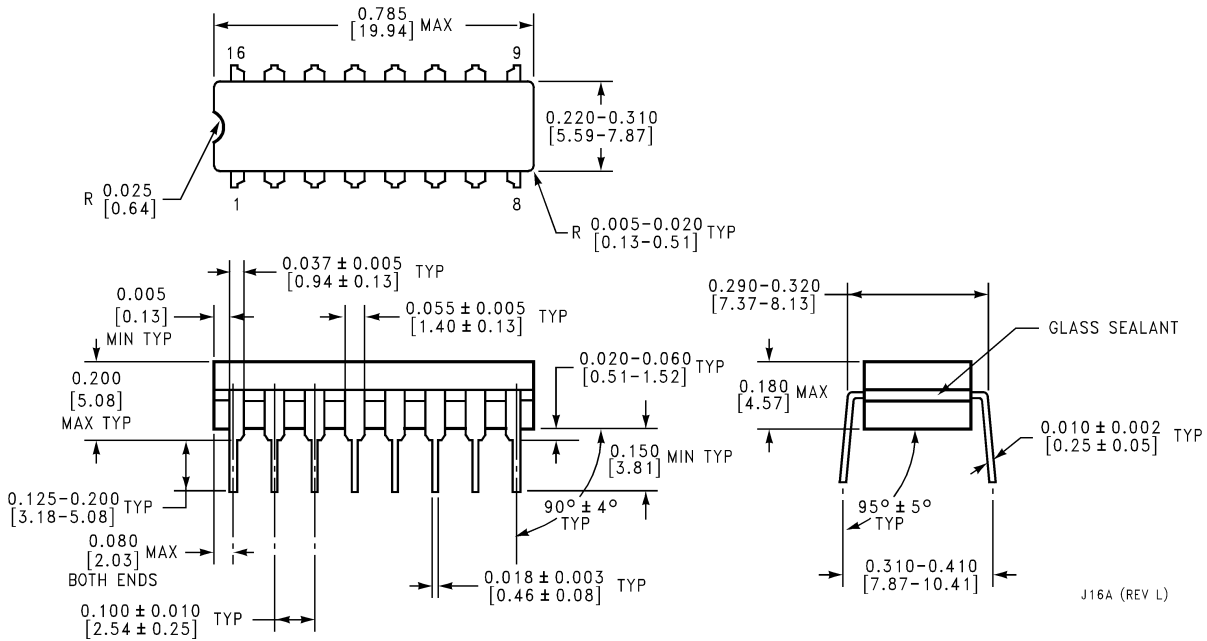


**Molded Dual-In-Line Package (N)**  
**Order Number DS26LS31CN**  
**NS Package Number N16E**

**Physical Dimensions** inches (millimeters) unless otherwise noted (Continued)

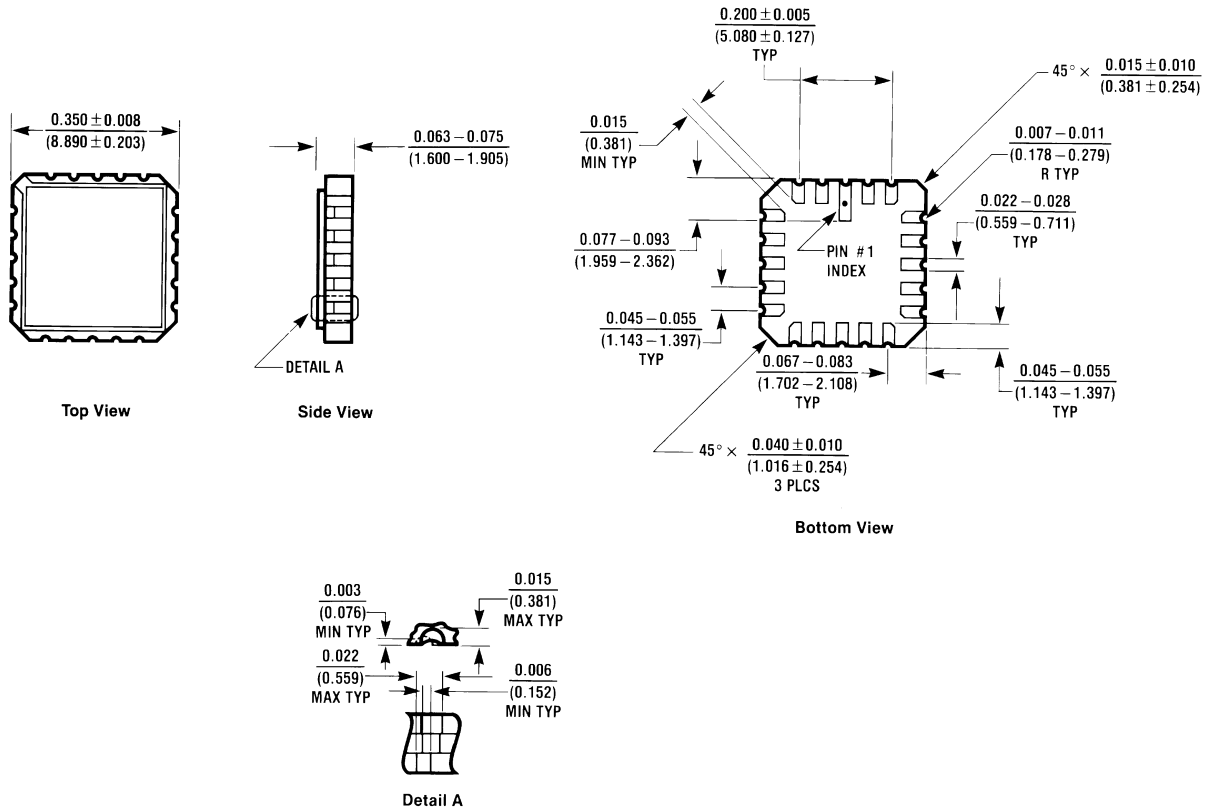


**16 Lead Ceramic Flatpak (F)**  
**Order Number DS26LS31MW/883**  
**NS Package Number W16A**



**16 Lead Ceramic Dual-in-Line Package (J)**  
**Order Number DS26LS31MJ/883**  
**NS Package Number J16A**

**Physical Dimensions** inches (millimeters) unless otherwise noted (Continued)



E20A (REV D)

**20 Lead Ceramic Leadless Chip Carrier (E)**  
**Order Number DS26LS31MJ/E/883**  
**NS Package Number E20A**


**LIFE SUPPORT POLICY**

NATIONAL'S PRODUCTS ARE NOT AUTHORIZED FOR USE AS CRITICAL COMPONENTS IN LIFE SUPPORT DEVICES OR SYSTEMS WITHOUT THE EXPRESS WRITTEN APPROVAL OF THE PRESIDENT AND GENERAL COUNSEL OF NATIONAL SEMICONDUCTOR CORPORATION. As used herein:

1. Life support devices or systems are devices or systems which, (a) are intended for surgical implant into the body, or (b) support or sustain life, and whose failure to perform when properly used in accordance with instructions for use provided in the labeling, can be reasonably expected to result in a significant injury to the user.
2. A critical component is any component of a life support device or system whose failure to perform can be reasonably expected to cause the failure of the life support device or system, or to affect its safety or effectiveness.

**BANNED SUBSTANCE COMPLIANCE**

National Semiconductor certifies that the products and packing materials meet the provisions of the Customer Products Stewardship Specification (CSP-9-111C2) and the Banned Substances and Materials of Interest Specification (CSP-9-111S2) and contain no "Banned Substances" as defined in CSP-9-111S2.

 **National Semiconductor**  
**Americas Customer Support Center**  
 Email: new.feedback@nsc.com  
 Tel: 1-800-272-9959

**National Semiconductor**  
**Europe Customer Support Center**  
 Fax: +49 (0) 180-530 85 86  
 Email: europe.support@nsc.com  
 Deutsch Tel: +49 (0) 69 9508 6208  
 English Tel: +44 (0) 870 24 0 2171  
 Français Tel: +33 (0) 1 41 91 8790

**National Semiconductor**  
**Asia Pacific Customer Support Center**  
 Email: ap.support@nsc.com

**National Semiconductor**  
**Japan Customer Support Center**  
 Fax: 81-3-5639-7507  
 Email: jpn.feedback@nsc.com  
 Tel: 81-3-5639-7560

www.national.com