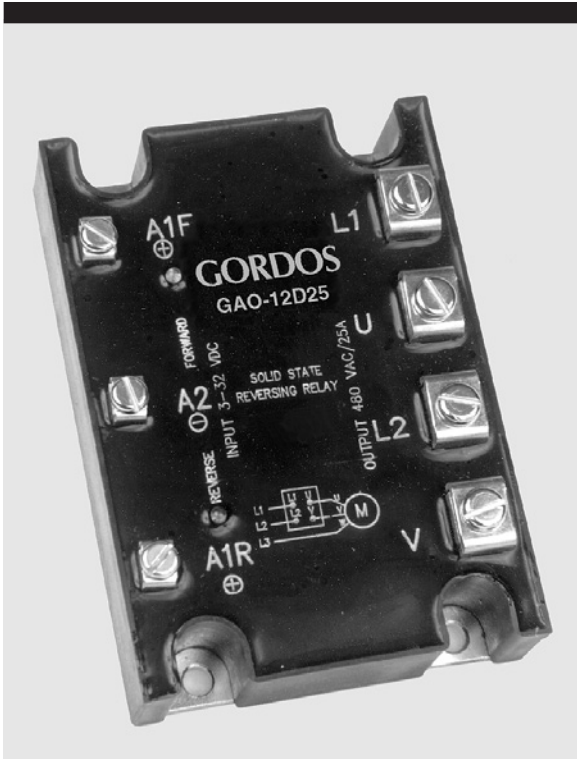


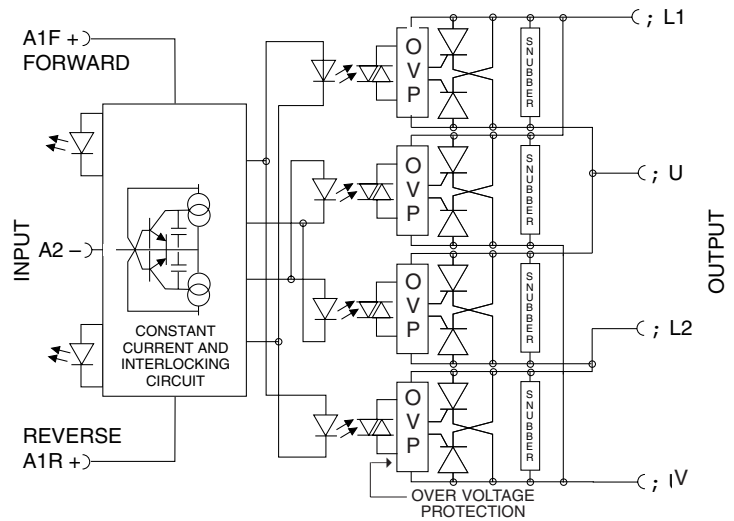
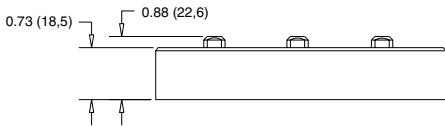
SOLID STATE RELAYS

THREE-PHASE MOTOR REVERSING RELAYS

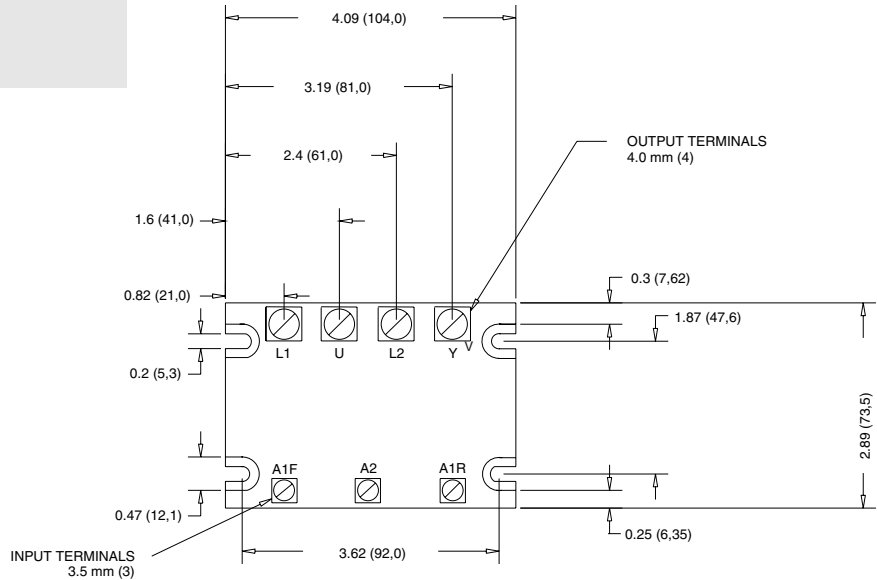
- Convenient Self-Contained Design Eases Installation and Wiring
- 24 to 600 VAC Output Voltage Range Suitable for Many Applications
- 1000 Volts Peak Blocking Voltage Helps Protect Against Transients in Harsh Electrical Environments
- 5000 VAC Isolation
- 3 to 32 Control Voltage for a Wide Variety of Logic Circuit Applications
- Compact Sealed Package with Screw Terminals
- Interlock Circuit Prevents Inadvertant Actuation of Both Directions
- UL and cUL Recognized E79183
- CE Compliant



DIMENSIONS: INCHES (MILLIMETERS)
TOLERANCE: ±0.020 (± 0.50)



EQUIVALENT CIRCUIT



Products and specifications subject to change without notice.
Consult factory for application assistance.

SOLID STATE RELAYS

THREE-PHASE MOTOR REVERSING RELAYS

INPUT SPECIFICATIONS: (1)

MODEL NUMBER	GA012D25	GA012D40	Units
Parameter	GA012D40		
Voltage Range	3.0 to 32		VDC
Drop Out Voltage	1.0		VDC
Control Current (2)	25		mA

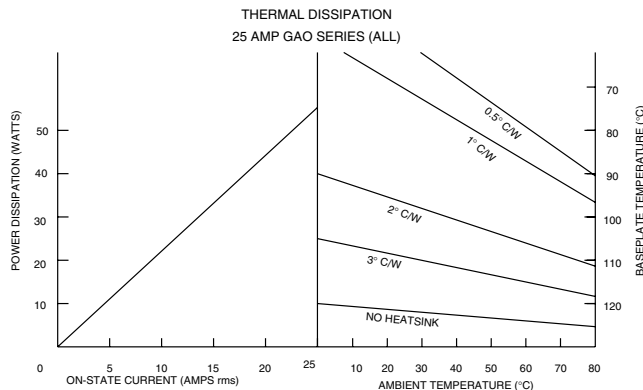
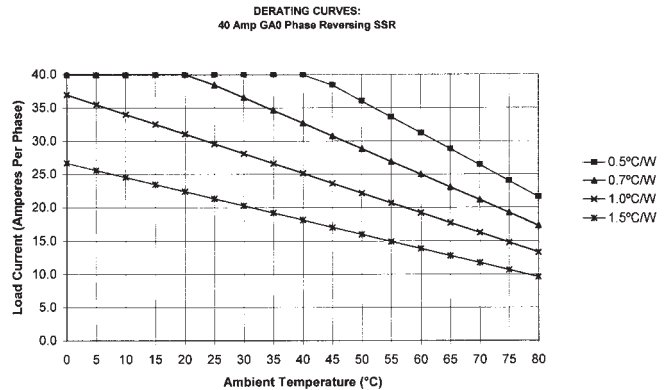
OUTPUT SPECIFICATIONS: (1)

MODEL NUMBER	GA012D25	GA012D40	Units
Parameter			
Line Voltage Range	24 to 660	24 to 660	VAC
Maximum Peak Off-State Voltage (3)	1200	1200	V _{peak}
Rated Current (4)	25	40	Arms
Minimum Current	0.2	0.2	Arms
Maximum Off-State Leakage (5)	.25	.25	mArms
One Cycle Surge Current (6)	270	450	A _{peak}
I ² t Fusing Current	365	1000	A Seconds
Maximum On-State Voltage Drop (7)	1.6	1.6	Volts peak
Off-State dv/dt (8)	500	500	V/μSec

GENERAL SPECIFICATIONS: (1)

Parameter	All Devices
Operating Temperature Range	-30 to 80°C
Storage Temperature Range	-40 to 100°C
Maximum Turn-on Time (9)	150 ms
Maximum Turn-off Time (10)	1/2 cycle
Input/Output Isolation (11)	4000 VAC
Input/Output to Base Isolation (11)	2500 VAC
Input/Output Capacitance (typical)	8 pF
Line Frequency Range	47 to 63 Hz
Weight	455 grams
Interlocking Time	100 mSec

GAO THERMAL DISSIPATION CURVES



- Notes:
- (1) Specifications apply to each phase at an ambient temperature of -20 to 80°C unless otherwise noted.
 - (2) Input is regulated and current limited.
 - (3) Semiconductors rated at 1200 V.
 - (4) See thermal dissipation/derating chart for heat sinking requirements. Catalog number PR250/100SE2 heat sink available separately for mounting GAO series SSR's.
 - (5) At maximum line voltage, 25°C.
 - (6) One AC cycle maximum duration, non-repetitive, 25°C.
 - (7) At rated output current, 25°C.
 - (8) Minimum dv/dt per EIA/NARM RS443, method RS397, 25°C.
 - (9) At minimum input voltage, maximum line voltage, rated output current, 25°C.
 - (10) At maximum input voltage, maximum line voltage, rated output current, 25°C.
 - (11) At 25°C for 1 second maximum duration.

Products and specifications subject to change without notice.
Consult factory for application assistance.