

To all our customers

Regarding the change of names mentioned in the document, such as Mitsubishi Electric and Mitsubishi XX, to Renesas Technology Corp.

The semiconductor operations of Hitachi and Mitsubishi Electric were transferred to Renesas Technology Corporation on April 1st 2003. These operations include microcomputer, logic, analog and discrete devices, and memory chips other than DRAMs (flash memory, SRAMs etc.) Accordingly, although Mitsubishi Electric, Mitsubishi Electric Corporation, Mitsubishi Semiconductors, and other Mitsubishi brand names are mentioned in the document, these names have in fact all been changed to Renesas Technology Corp. Thank you for your understanding. Except for our corporate trademark, logo and corporate statement, no changes whatsoever have been made to the contents of the document, and these changes do not constitute any alteration to the contents of the document itself.

Note : Mitsubishi Electric will continue the business operations of high frequency & optical devices and power devices.

Renesas Technology Corp.
Customer Support Dept.
April 1, 2003

M51957A,B/M51958A,B

VOLTAGE DETECTING, SYSTEM RESETTING IC SERIES

DESCRIPTION

M51957A,B/M51958A,B are semiconductor integrated circuits ideal for detecting input voltage and resetting all types of logic circuits such as CPUs.

They include a built-in delay circuit to provide the desired retardation time simply by adding an external capacitor.

Applications are extensive, including circuits for battery checking, level detecting and waveform shaping.

FEATURES

- Few external parts
- Large delay time with a capacitor of small capacitance ($t_d \approx 100\text{ms}$, at $0.33\mu\text{F}$) (M51957, M51958)
- Low threshold operating voltage (Supply voltage to keep low-state at low supply voltage) 0.6V (TYP.) at $R_L = 22\text{k}\Omega$
- Wide supply voltage range. $2 \sim 17\text{V}$
- Sudden change in power supply has minimal effect on the ICs
- Wide operation range of detecting input pin . . . Narrower ranges of $-0.3\text{V} \sim V_{CC}$ or $-0.3\text{V} \sim 7\text{V}$ (Input voltage detecting type)
- Suitable for high supply voltage circuit with simple circuit structure (M51957B, M51958B)
- Permits easy configuration of circuit for protection against reverse connection or surges. (M51957B, M51958B)
- Wide application range
- SIL package of the same height as DIP (5-pin SIP)

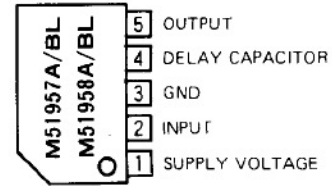
APPLICATION

Reset circuit of Pch, Nch, CMOS, microcomputer, CPU and microcomputer, Reset of logic circuit, Battery check circuit, Switching circuit back-up voltage, Level detecting circuit, Waveform shaping circuit, Delay waveform generating circuit, DC-DC converter, Over voltage protection circuit.

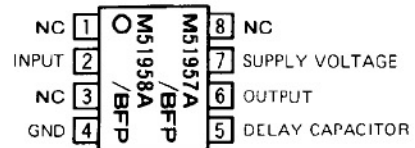
RECOMMENDED OPERATING CONDITION

Supply voltage range $2 \sim 17\text{V}$

PIN CONFIGURATION (TOP VIEW)



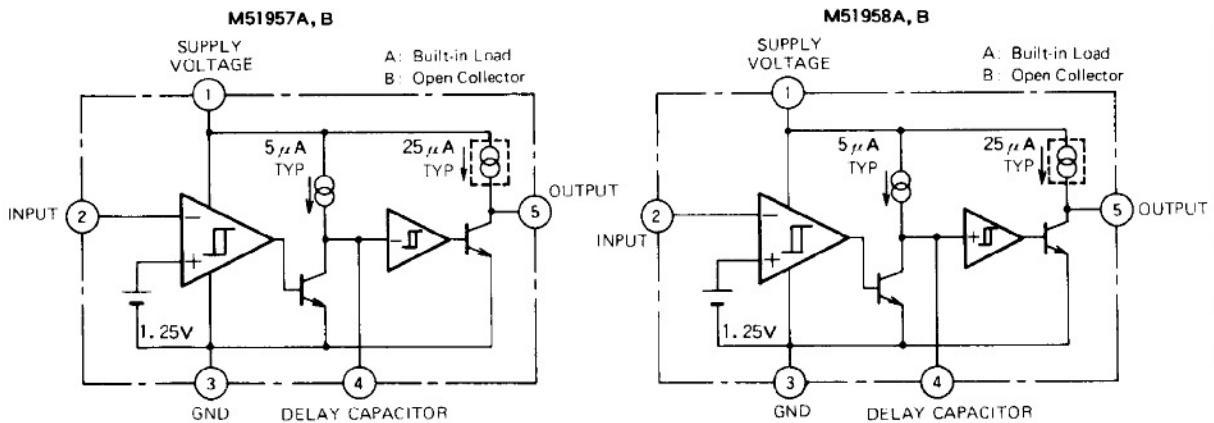
Outline 5P5T



Outline 8P2S-A

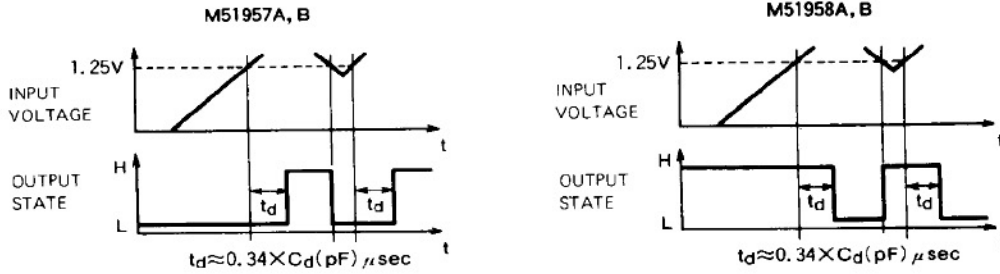
NC: NO CONNECTION

BLOCK DIAGRAM



VOLTAGE DETECTING, SYSTEM RESETTIC IC SERIES

FUNCTION DIAGRAM



ABSOLUTE MAXIMUM RATINGS ($T_a = 25^\circ\text{C}$, unless otherwise noted)

Symbol	Parameter	Conditions	Ratings	Unit	
V_{CC}	Supply voltage		18	V	
I_{sink}	Output Sink Current		6	mA	
V_O	Output voltage	A Type (Output with constant current load)	V_{CC}	V	
		B Type (Open collector output)	18		
P_d	Power dissipation	5P SIL	450	mW	
		8P FLAT	300		
K_θ	Thermal Derating	$T_a \geq 25^\circ\text{C}$	5P SIL 8P FLAT	4.5 3	mW/ $^\circ\text{C}$
T_{opr}	Operating temperature			-30 ~ +85	
T_{stg}	Storage temperature			-40 ~ +125	$^\circ\text{C}$

ELECTRICAL CHARACTERISTICS ($T_a = 25^\circ\text{C}$, unless otherwise noted)

"L" reset type	"H" reset type
M51957A	M51958A
M51957B	M51958B

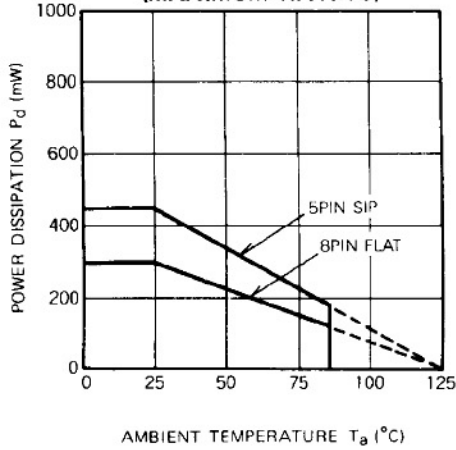
Symbol	Parameter	Test conditions	Limits			Unit
			Min	Typ	Max	
V_S	Detecting voltage		1.20	1.25	1.30	V
ΔV_S	Hysteresis voltage	$V_{CC} = 5\text{V}$	9	15	23	mV
$V_S/\Delta T$	Detecting Voltage Temperature Coefficient		—	0.01	—	%/ $^\circ\text{C}$
V_{CC}	Supply Voltage Range	$T_a = -30 \sim +85^\circ\text{C}$	2	—	17	V
V_{IN}	Input voltage Range	$T_a = -30 \sim +85^\circ\text{C}$, $V_{CC} \leq 7\text{V}$	-0.3	—	V_{CC}	V
		$T_a = -30 \sim +85^\circ\text{C}$, $V_{CC} > 7\text{V}$	-0.3	—	7	
I_{IN}	Input Current	$V_{IN} = 1.25\text{V}$	—	100	500	nA
I_{CC}	Circuit Current	Type A $V_{CC} = 5\text{V}$	—	390	590	μA
		Type B $V_{CC} = 5\text{V}$	—	360	540	
t_{pd}	Delay Time	$T_a = -30 \sim +85^\circ\text{C}$, $C_d = 0.01\mu\text{F}$ (Nete)	1.6	3.4	7	ms
I_{pd}	Constant Current at C_d pin	$V_{CC} = 5\text{V}$	-8	-5	-3	μA
V_{sat}	Output Saturation Voltage	L reset type $V_{CC} = 5\text{V}$, $V_{IN} < 1.2\text{V}$, $I_{sink} = 4\text{mA}$	—	0.2	0.4	V
		H reset type $V_{CC} = 5\text{V}$, $V_{IN} < 1.35\text{V}$, $I_{sink} = 4\text{mA}$	—	—	—	
V_{DPL}	Threshold Operating Voltage	L reset type minimum supply voltage for IC operation				V
		$R_L = 2.2\text{k}\Omega$, $V_{sat} \leq 0.4\text{V}$	—	0.67	0.8	
		$R_L = 100\text{k}\Omega$, $V_{sat} \leq 0.4\text{V}$	—	0.55	0.7	
I_{OH}	Output Leakage Current	Type B	—	—	30	nA
		Type B, $T_a = -30 \sim +85^\circ\text{C}$	—	—	1	μA
I_{OC}	Output Load Current	Type A $V_{CC} = 5\text{V}$, $V_O = 1/2 V_{CC}$	-40	-25	-17	μA
V_{OH}	Output High Voltage	Type A	$V_{CC} - 0.2$	$V_{CC} - 0.06$	—	V

Note: Delay time can be changed by changing delay capacitor for external delay capacitor types.
(Please refer to typical characteristics.)

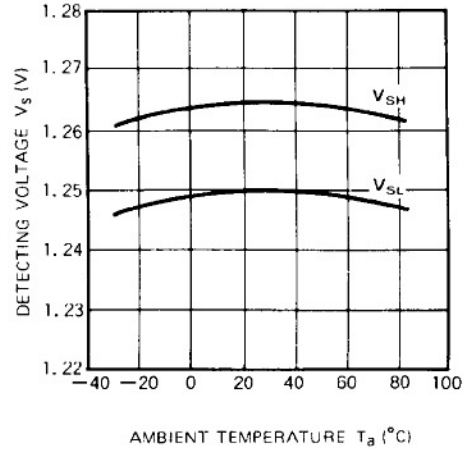
VOLTAGE DETECTING, SYSTEM RESETTIC IC SERIES

TYPICAL CHARACTERISTICS

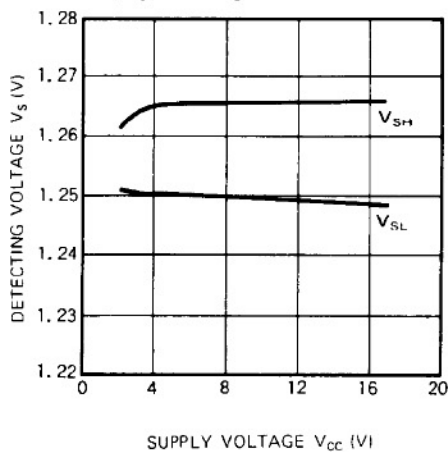
**TYPICAL CHARACTERISTICS
 THERMAL DERATING
 (MAXIMUM RATING)**



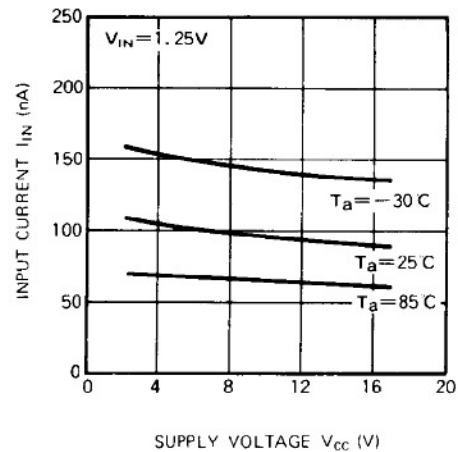
**DETECTING VOLTAGE VS.
 AMBIENT TEMPERATURE
 (Input voltage detecting series)**



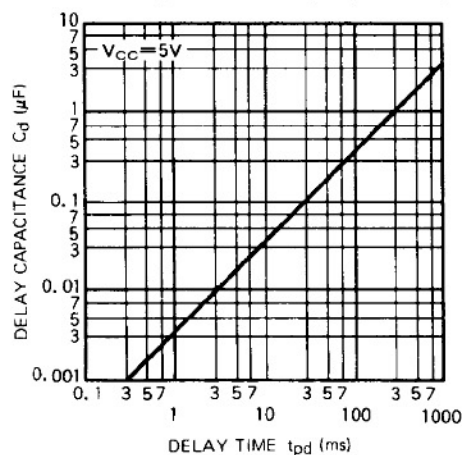
**DETECTION VOLTAGE VS.
 SUPPLY VOLTAGE
 (Input voltage detection series)**



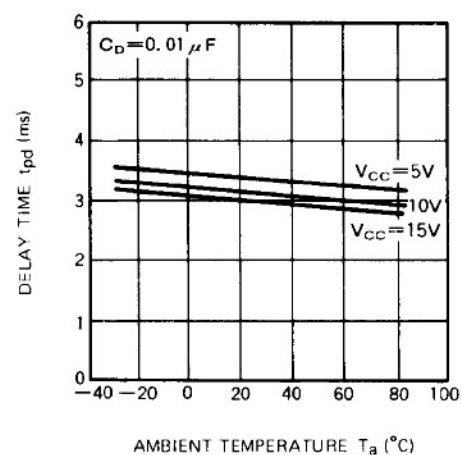
**INPUT CURRENT VS.
 SUPPLY VOLTAGE
 (Input voltage detecting series)**



**DELAY CAPACITANCE VS.
 DELAY TIME
 (M5195XX, External delay capacitor type)**

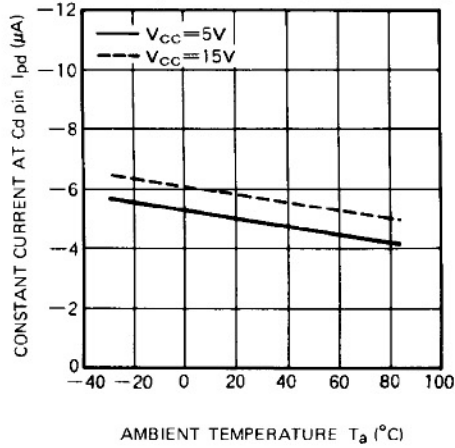


**DELAY TIME VS.
 AMBIENT TEMPERATURE
 (M5195XX, External delay capacitor type)**

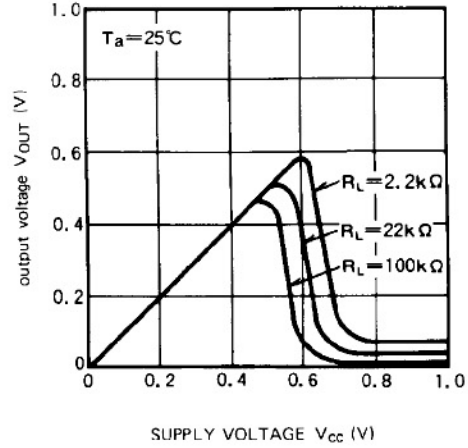


VOLTAGE DETECTING, SYSTEM RESETTIC IC SERIES

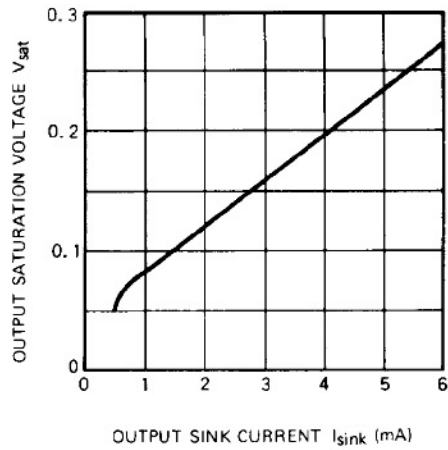
CONSTANT CURRENT AT Cd PIN VS. AMBIENT TEMPERATURE
 (M5195XX, External delay capacitor type)



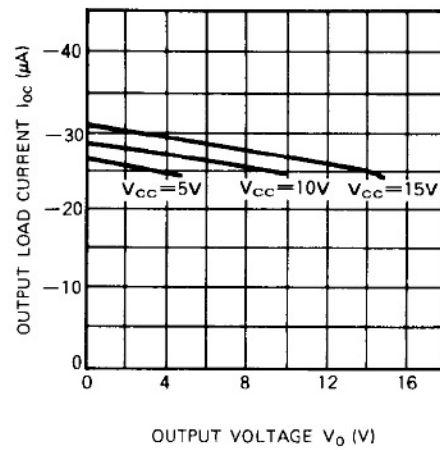
THRESHOLD OPERATING VOLTAGE
 ([L] reset type)



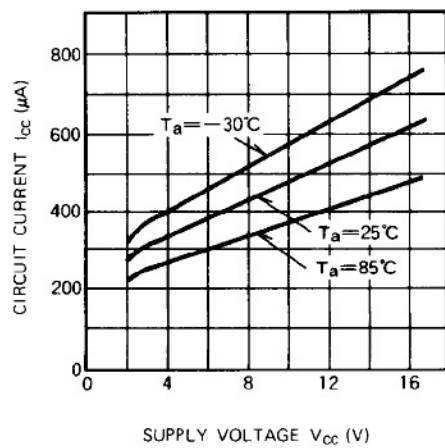
OUTPUT SATURATION VOLTAGE VS. OUTPUT SINK CURRENT



OUTPUT LOAD CURRENT VS. OUTPUT VOLTAGE
 (M519XXA)



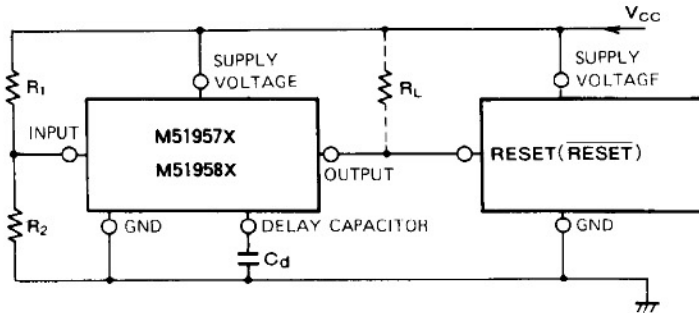
CIRCUIT CURRENT VS. SUPPLY VOLTAGE
 (M51957B, M51958B)



VOLTAGE DETECTING, SYSTEM RESETTIC IC SERIES

EXAMPLE OF APPLICATION CIRCUIT

M5195XX Series Reset Circuit

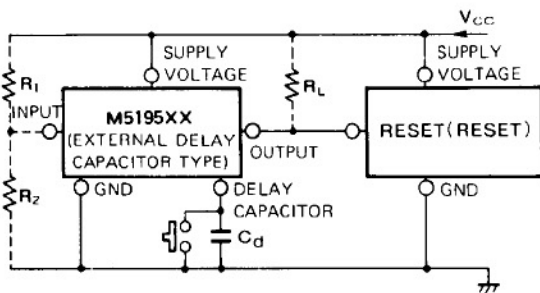


- Note 1. When the detecting supply voltage is 4.25V, M51951, M51952, M51953 and M51954 are used. In the case, R₁ and R₂ are not necessary. When the voltage is anything except 4.25V, M51955, M51956, M51957 and M51958 are used. In this case, the detecting supply voltage is $1.25 \times \frac{R_1 + R_2}{R_2}$ (V) approximately. The detecting supply voltage can be set between 2V and 15V.
- Note 2. When the delay time is short, M51951, M51952, M51955 and M51956 are available. These ICs have a delay capacity and the delay time is about 200μs. If a longer delay time is necessary, M51953, M51954, M51957 and M51958 are used. In the case, the delay time is about 0.34 × Cd(pF)μsec.

- Note 3. If M5195XX and the logic circuit have a common power supply, type A (built-in load type) can be applied whether a pull-up resistor is included in the logic circuit or not.
- Note 4. The logic circuit preferably should not have a pull-down resistor, but if one is present, add load resistor R_L to overcome the pull-down resistor.
- Note 5. When the reset terminal in the logic circuit is of the low reset type, M51951, M51953, M51955 and M51957 are used and when the terminal is of the high reset type, M51952, M51954, M51956 and M51958 are used.
- Note 6. When a negative supply voltage is used, supply voltage side of M5195XX and the GND side are connected to negative supply voltage respectively.

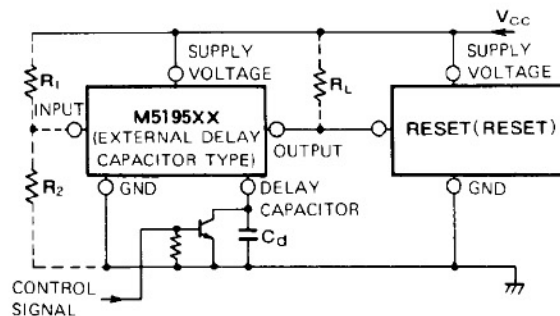
Case of Using Other Reset Signal except Supply Voltage in the M5195XX Series

(a) Reset at ON



RESET AT ON

(b) Reset at transistor ON

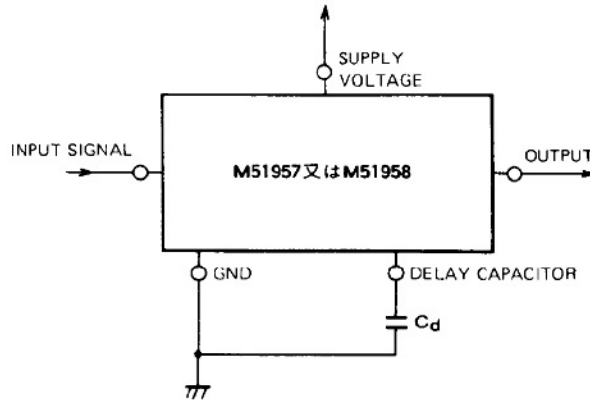


RESET AT TRANSISTOR ON

VOLTAGE DETECTING, SYSTEM RESETTING IC SERIES

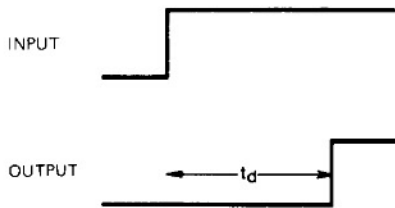
Delay Waveform Generating Circuit

When M51957 and M51958 are used, a waveform with a large delay time can generate only by adding a small capacitor.

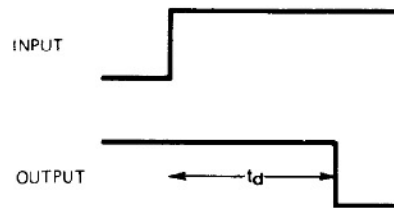


Operating Waveform

(a) M51957



(b) M51958

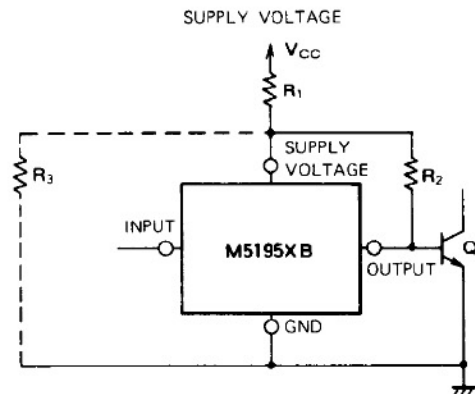


$$t_d \approx 0.34 \times C_d (\text{pF}) \mu\text{sec}$$

Application to High Supply Voltage Circuit

The absolute maximum rating of supply voltage for M51957B, M51958B is 18V. By dividing supply voltage

using resistors, these ICs can be used in high supply voltage circuit.



VOLTAGE DETECTING, SYSTEM RESETTING IC SERIES

In the above figure, the voltage applied to M5195XB is as follows. The voltage range is set between 2V and 17V.

at Q₁ ON:

$$\frac{R_2 \cdot \left[\frac{R_3}{(R_1+R_3)} \cdot V_{CC} - (R_1//R_3) \cdot I_{CC} \right] + (R_1//R_3) \cdot V_{BE1}}{R_2 + (R_1//R_3)}$$

at Q₁ OFF:

$$\frac{R_2 \cdot \left\{ \frac{R_3}{(R_1+R_3)} \cdot V_{CC} - (R_1//R_3) \cdot I_{CC} \right\}}{R_2 + (R_1//R_3)}$$

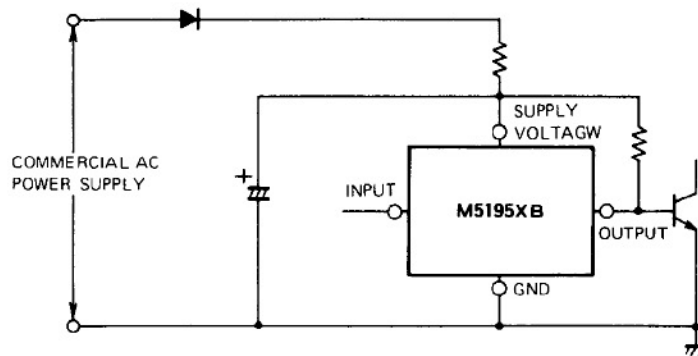
$$R_1//R_3 \equiv \frac{R_1 \cdot R_3}{R_1 + R_3}$$

V_{CC}: Circuit current of M5195XB

V_{BE1}: Base-emitter voltage ≈ 0.7V (Transistor Q₁)

This circuit provides reverse protection (in case of reverse connection of power supply) and surge protection.

Using the application circuit, the directly rectified or smoothing commercial voltage can be applied as shown below.



This datasheet has been download from:

www.datasheetcatalog.com

Datasheets for electronics components.