

# PQ1CZ1

## Surface Mount Type Chopper Regulator

### Features

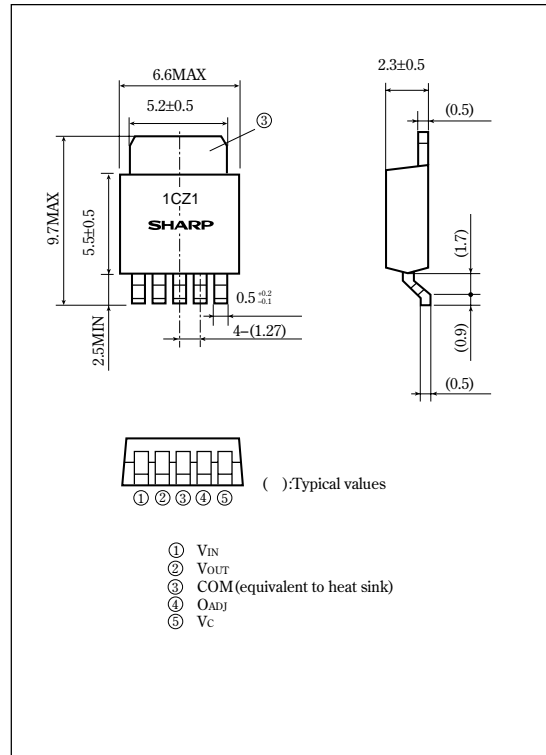
- Surface mount type package (equivalent to SC-63, 5-terminal type)
- Variable output voltage ( $V_{ref}$  to 35V/ $-V_{ref}$  to -30V)
- Built-in ON/OFF control function
- Built-in overheat protection function and overcurrent protection function
- Built-in soft start function

### Applications

- Personal computers
- Word processors
- Printers
- Car audio equipment

### Outline Dimensions

(Unit : mm)



### Absolute Maximum Ratings

(T<sub>a</sub>=25°C)

Parameter	Symbol	Rating	Unit
*1 Input voltage	$V_{IN}$	40	V
Error input voltage	$V_{ADJ}$	7	V
Input-output voltage	$V_{I-O}$	41	V
Switching current	$I_{SW}$	1.5	A
*2 Voltage between output and COM	$V_{OUT}$	-1	V
*3 ON/OFF control voltage	$V_c$	-0.3 to 40	V
*4 Power dissipation	$P_D$	8	W
Junction temperature	$T_j$	150	°C
Operating temperature	$T_{opr}$	-20 to +80	°C
Storage temperature	$T_{stg}$	-40 to +150	°C
Soldering temperature	$T_{sol}$	260 (For 10s)	°C

\*1 Voltage between  $V_{IN}$  terminal and COM terminal.\*2 Voltage between  $V_{OUT}$  terminal and COM terminal.\*3 Voltage between  $V_c$  terminal and COM terminal.

\*4 With infinite heat sink, Refer to Fig.1

• Please refer to the chapter " Handling Precautions ".

**SHARP**

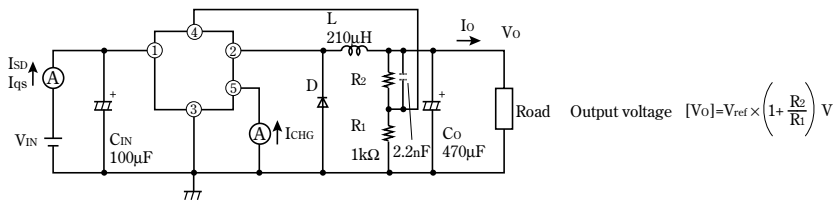
Notice In the absence of confirmation by device specification sheets, SHARP takes no responsibility for any defects that may occur in equipment using any SHARP devices shown in catalogs, data books, etc. Contact SHARP in order to obtain the latest device specification sheets before using any SHARP device.  
 Internet Internet address for Electronic Components Group <http://sharp-world.com/ecg/>

## Electrical Characteristics

(Unless otherwise specified, condition shall be  $V_{IN}=12V$ ,  $I_o=0.2A$ ,  $V_o=5V$ , Ⓢ terminal is open,  $T_a=25^\circ C$ )

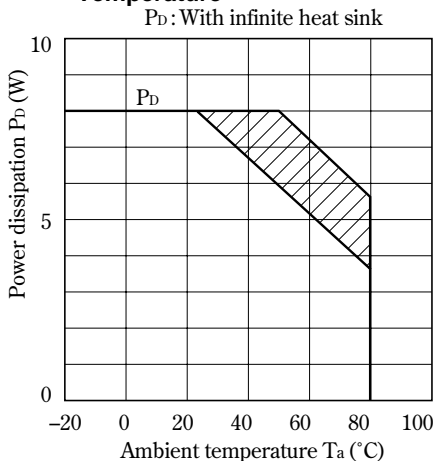
Parameter	Symbol	Conditions	MIN.	TYP.	MAX.	Unit
Output saturation voltage	$V_{SAT}$	$I_o=1A$ , no L,D,Co	—	0.9	1.5	V
Reference voltage	$V_{ref}$	—	1.235	1.26	1.285	V
Reference voltage temperature fluctuation	$\Delta V_{ref}$	$T_j=0$ to $125^\circ C$	—	$\pm 0.5$	—	%
Load regulation	$ R_{egL} $	$I_o=0.2$ to $1A$	—	0.1	1.5	%
Line regulation	$ R_{egI} $	$V_{IN}=8$ to $35V$	—	0.5	2.5	%
Efficiency	$\eta$	$I_o=1A$	—	82	—	%
Oscillation frequency	$f_o$	—	80	100	120	kHz
Oscillation frequency temperature fluctuation	$\Delta f_o$	$T_j=0$ to $125^\circ C$	—	$\pm 2$	—	%
Maximum duty	$D_{MAX}$	Ⓞ terminal = open	90	—	—	%
Overcurrent detecting level	$I_L$	No L,D,Co	1.55	2	2.6	A
Charge current	$I_{CHG}$	Ⓜ, Ⓞ terminals are open	-15	-10	-5	$\mu A$
Input threshold voltage	$V_{THL}$	Duty=0%, Ⓞ terminal =0V, Ⓢ terminal	1.95	2.25	2.55	V
	$V_{THH}$	Duty= $D_{MAX}$ , Ⓞ terminal is open, Ⓢ terminal	3.25	3.55	3.85	
ON threshold voltage	$V_{TH(ON)}$	Ⓞ terminal =0V, Ⓢ terminal	1.05	1.4	1.75	V
Stand-by current	$I_{SD}$	$V_{IN}=40V$ , Ⓢ terminal =0V	—	150	400	$\mu A$
Output OFF-state dissipation current	$I_{qs}$	$V_{IN}=40V$ , Ⓞ terminal =3V	—	8	12	mA

Fig. 1 Test Circuit



L: HK-HK-14D100-2110(made by Toho Co.)  
D: ERC80-004(made by Fuji electronics Co.)

Fig. 2 Power Dissipation vs. Ambient Temperature



Note) Oblique line portion : Overheat protection may operate in this area.

Fig. 3 Overcurrent Protection Characteristics (Typical Value)

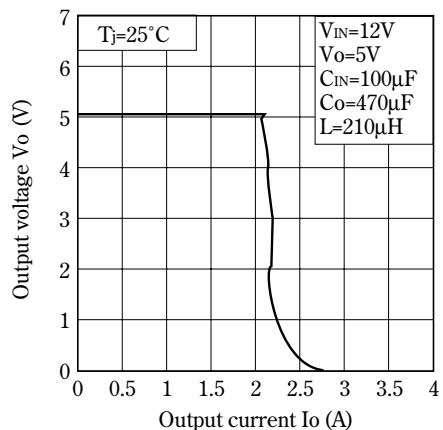


Fig. 4 Efficiency vs. Input Voltage

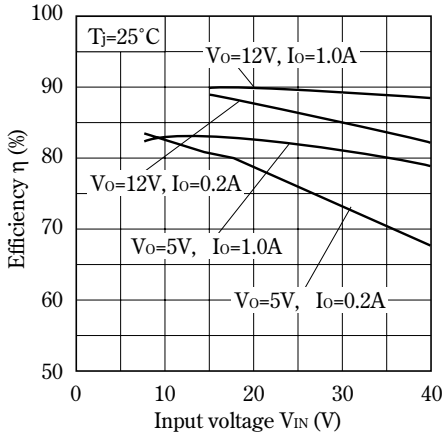


Fig. 5 Switching Current vs. Output Saturation Voltage

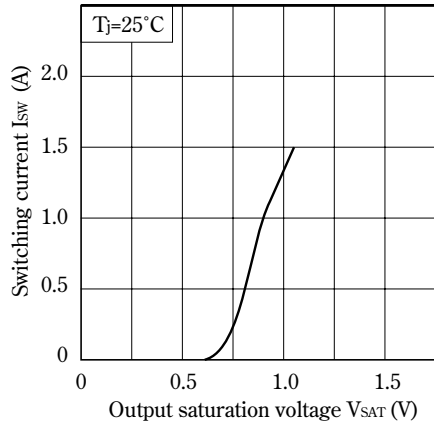


Fig. 6 Stand-by Current vs. Input Voltage

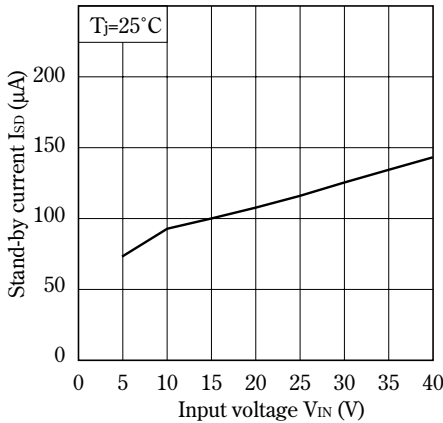


Fig. 7 Reference Voltage Fluctuation vs. Junction Temperature

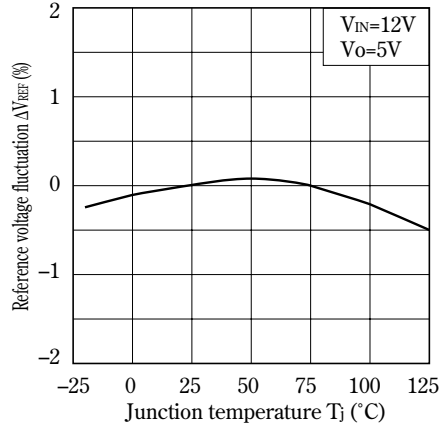


Fig. 8 Load Regulation vs. Output Current

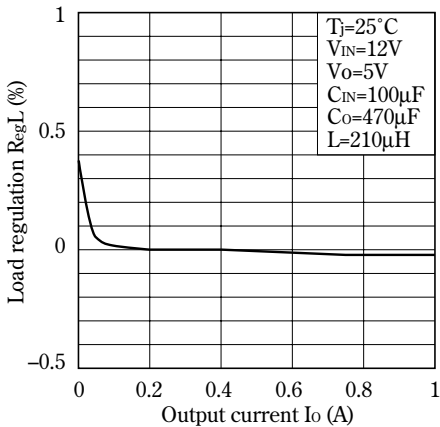
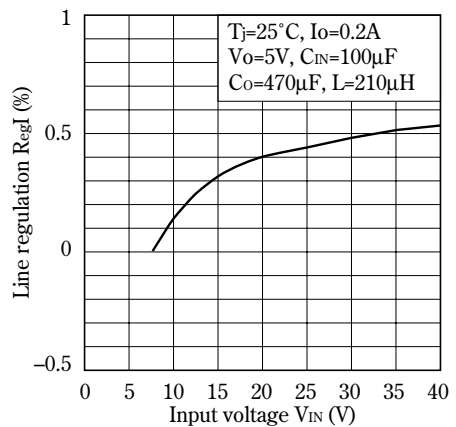
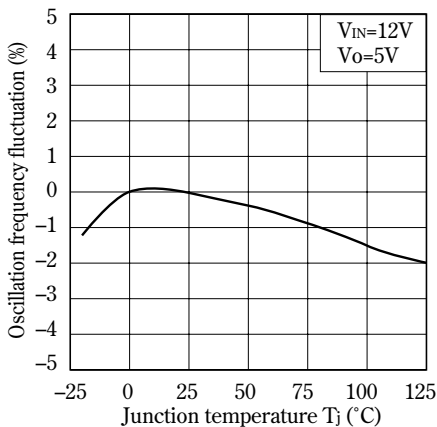


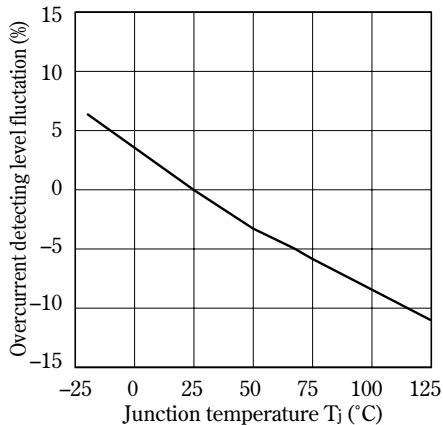
Fig. 9 Line Regulation vs. Input Voltage



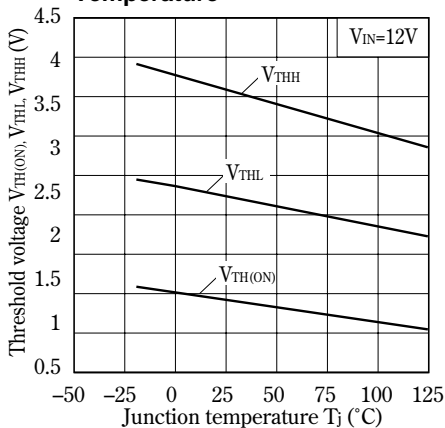
**Fig.10 Oscillation Frequency Fluctuation vs. Junction Temperature**



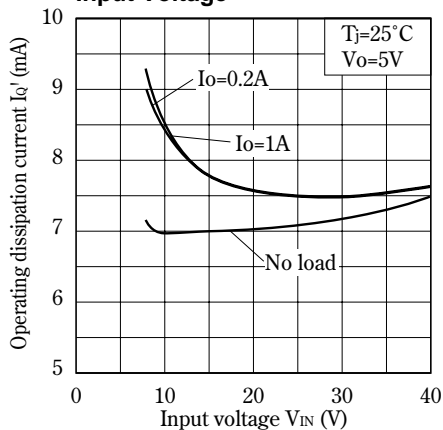
**Fig.11 Overcurrent Detecting Level Fluctuation vs. Junction Temperature**



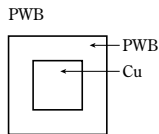
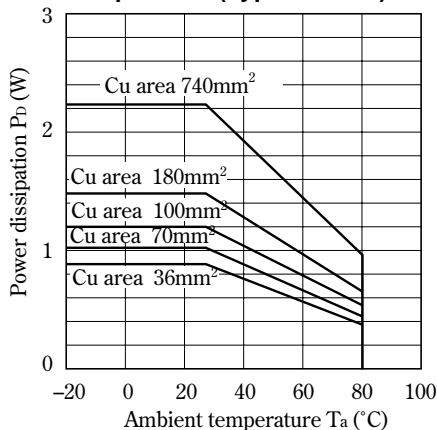
**Fig.12 Threshold Voltage vs. Junction Temperature**



**Fig.13 Operating Dissipation Current vs. Input Voltage**

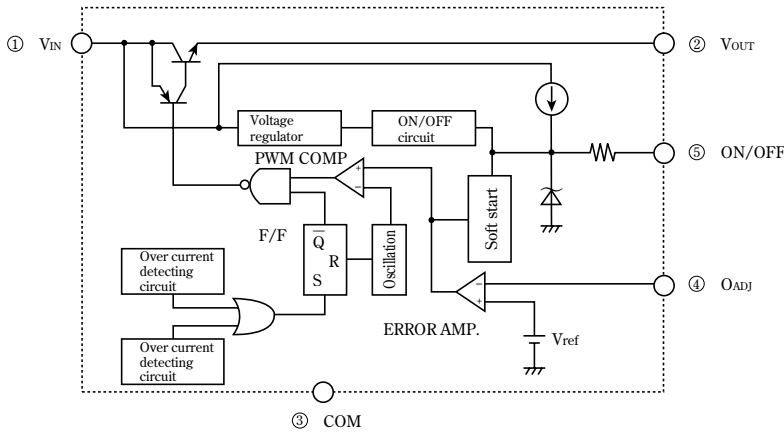


**Fig.14 Power Dissipation vs. Ambient Temperature (Typical Value)**

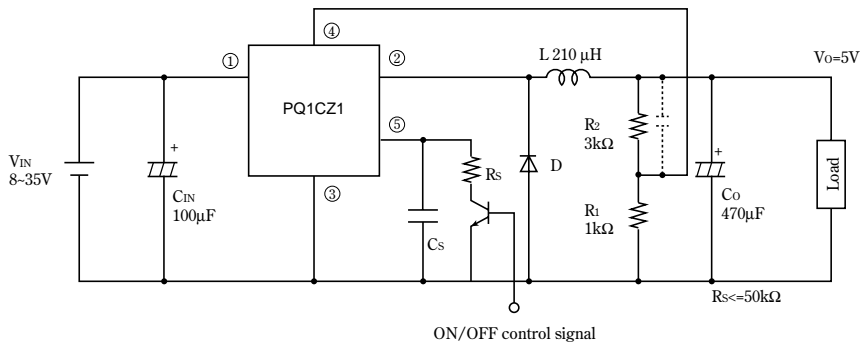


Material : Glass-cloth epoxy resin  
 Size : 50 X 50 X 1.6mm  
 Cu thickness : 35 $\mu$ m

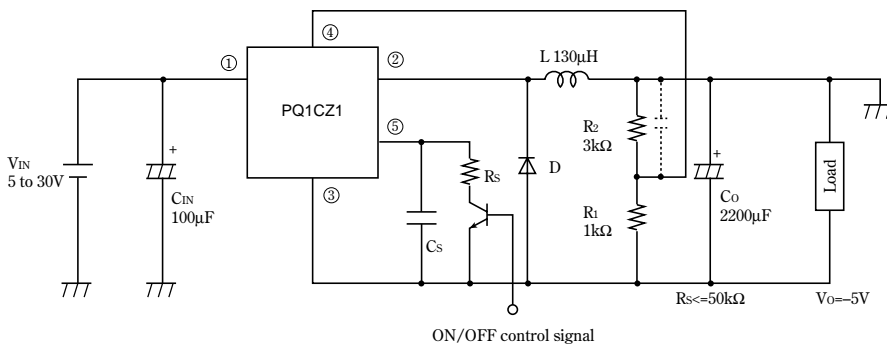
## Block Diagram



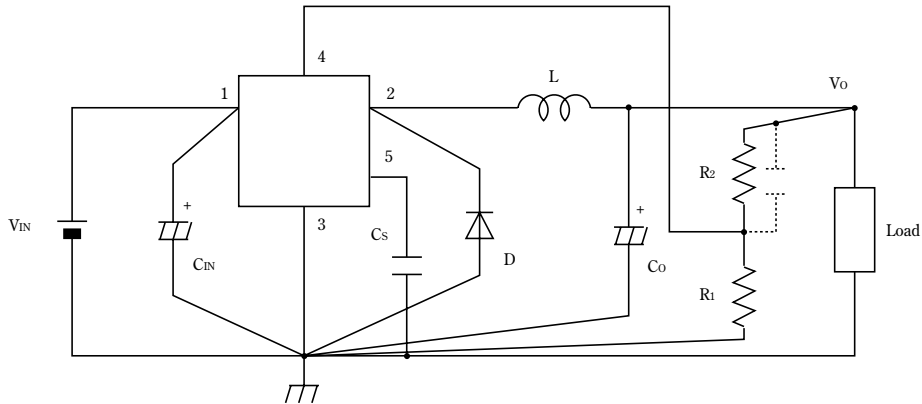
## Step Down Type Circuit Diagram (5V output)



## Polarity Inversion Type Circuit Diagram (-5V output)



External Connection



- ① Wiring condition is very important. Noise associated with wiring inductance may cause problems. For minimizing inductance, it is recommended to design the thick and short pattern (between large current diodes, input/output capacitors, and terminal 1,2.) Single-point grounding (as indicated) should be used for best results.
- ② When output voltage is not stable, it can be improved by attaching capacitor (from several nF to several dozens nF) to external resistor R<sub>2</sub>.
- ③ High switching speed and low forward voltage type schottky barrier diode should be recommended for the catch-diode D because it affects the efficiency. Please select the diode which the current rating is at least 1.2 times greater than maximum switching current.
- ④ The output ripple voltage is highly influenced by ESR (Equivalent Series Resistor) of output capacitor, and can be minimized by selecting Low ESR capacitor.
- ⑤ An inductor should not be operated beyond its maximum rated current so that it may not saturate.

Thermal Protection Design

Internal power dissipation (P) of device is generally obtained by the following equation.

$$P = I_{sw}(\text{Average.}) \times V_{SAT} \times D' + V_{IN}(\text{voltage between } V_{IN} \text{ to COM terminal}) \times I_d'(\text{consumption current})$$

Step down type

$$D'(\text{Duty}) = \frac{T_{on}}{T(\text{period})} = \frac{V_O + V_F}{V_{IN} - V_{SAT} + V_F}$$

$$I_{sw}(\text{Average}) = I_o(\text{Output current.})$$

Polarity inversion type

$$D'(\text{Duty}) = \frac{T_{on}}{T(\text{period})} = \frac{|V_O| + V_F}{V_{IN} + |V_O| - V_{SAT} + V_F}$$

$$I_{sw}(\text{Average}) = \frac{1}{1 - D'} \times I_o(\text{Output current.})$$

V<sub>F</sub> : Forward voltage of the diode

When ambient temperature T<sub>a</sub> and power dissipation P<sub>D</sub>(MAX) during operation are determined, use Cu plate which allows the element to operate within the safety operation area specified by the derating curve. Insufficient radiation gives an unfavorable influence to the normal operation and reliability of the device.

In the external area of the safety operation area shown by the derating curve, the overheat protection circuit may operate to shut-down output. However, please avoid keeping such condition for a long time.

■ **ON/OFF Control Terminal**

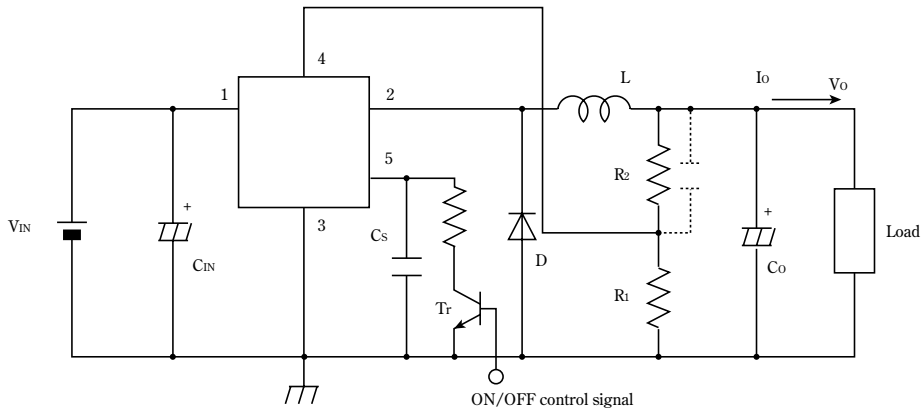
In the following circuit, when ON/OFF control terminal ⑤ becomes low by switching transistor Tr on, output voltage may be turned OFF and the device becomes stand-by mode. Dissipation current at stand-by mode becomes Max.400μA.

<Soft start>

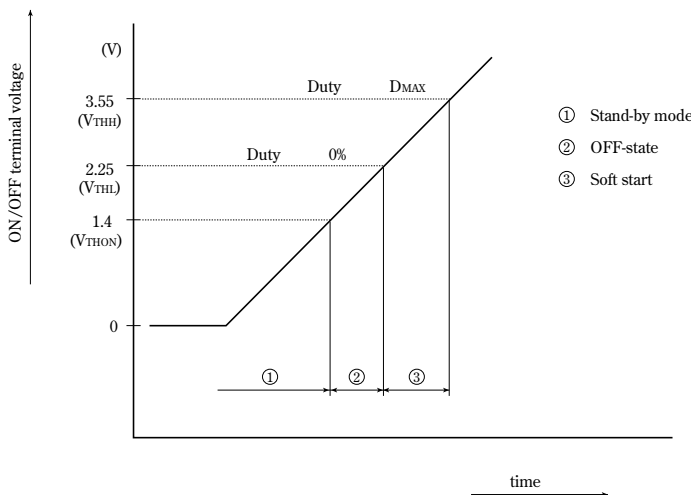
When capacitor Cs is attached, output pulse gradually expanded and output voltage will start softly.

<ON/OFF control with soft startup>

For ON/OFF control with capacitor Cs, be careful not to destroy a transistor Tr by discharge current from Cs, adding a resistor restricting discharge current of Cs.



Step Down Voltage Circuit



## NOTICE

- The circuit application examples in this publication are provided to explain representative applications of SHARP devices and are not intended to guarantee any circuit design or license any intellectual property rights. SHARP takes no responsibility for any problems related to any intellectual property right of a third party resulting from the use of SHARP's devices.
- Contact SHARP in order to obtain the latest device specification sheets before using any SHARP device. SHARP reserves the right to make changes in the specifications, characteristics, data, materials, structure, and other contents described herein at any time without notice in order to improve design or reliability. Manufacturing locations are also subject to change without notice.
- Observe the following points when using any devices in this publication. SHARP takes no responsibility for damage caused by improper use of the devices which does not meet the conditions and absolute maximum ratings to be used specified in the relevant specification sheet nor meet the following conditions:
  - (i) The devices in this publication are designed for use in general electronic equipment designs such as:
    - Personal computers
    - Office automation equipment
    - Telecommunication equipment [terminal]
    - Test and measurement equipment
    - Industrial control
    - Audio visual equipment
    - Consumer electronics
  - (ii) Measures such as fail-safe function and redundant design should be taken to ensure reliability and safety when SHARP devices are used for or in connection with equipment that requires higher reliability such as:
    - Transportation control and safety equipment (i.e., aircraft, trains, automobiles, etc.)
    - Traffic signals
    - Gas leakage sensor breakers
    - Alarm equipment
    - Various safety devices, etc.
  - (iii) SHARP devices shall not be used for or in connection with equipment that requires an extremely high level of reliability and safety such as:
    - Space applications
    - Telecommunication equipment [trunk lines]
    - Nuclear power control equipment
    - Medical and other life support equipment (e.g., scuba).
- Contact a SHARP representative in advance when intending to use SHARP devices for any "specific" applications other than those recommended by SHARP or when it is unclear which category mentioned above controls the intended use.
- If the SHARP devices listed in this publication fall within the scope of strategic products described in the Foreign Exchange and Foreign Trade Control Law of Japan, it is necessary to obtain approval to export such SHARP devices.
- This publication is the proprietary product of SHARP and is copyrighted, with all rights reserved. Under the copyright laws, no part of this publication may be reproduced or transmitted in any form or by any means, electronic or mechanical, for any purpose, in whole or in part, without the express written permission of SHARP. Express written permission is also required before any use of this publication may be made by a third party.
- Contact and consult with a SHARP representative if there are any questions about the contents of this publication.