

MITSUBISHI FAST RECOVERY DIODE MODULES

RM100HA-XXF

HIGH SPEED SWITCHING USE
INSULATED TYPE

RM100HA-XXF



- **Idc** DC current **100A**
- **VRRM** Repetitive peak reverse voltage
..... **600/1000/1200V**
- **trr** Reverse recovery time **0.8μs**
- **Insulated Type**
- **UL Recognized**

Yellow Card No. E80276 (N)

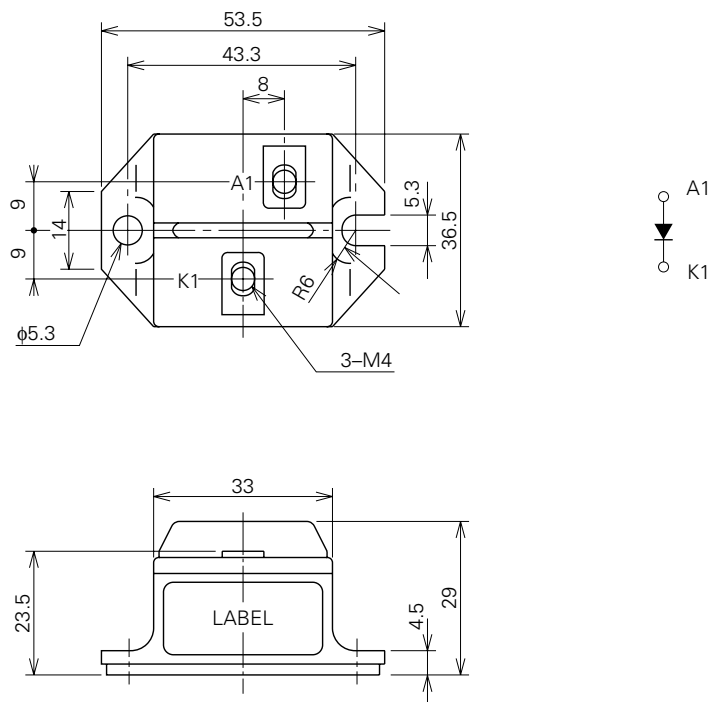
File No. E80271

APPLICATION

Free wheel use, Welders

OUTLINE DRAWING & CIRCUIT DIAGRAM

Dimensions in mm



Feb.1999

RM100HA-XXF

**HIGH SPEED SWITCHING USE
INSULATED TYPE**

ABSOLUTE MAXIMUM RATINGS (T_j=25°C)

| Symbol | Parameter | Voltage class | | | Unit |
|---------------------|-------------------------------------|---------------|------|------|------|
| | | 12 | 20 | 24 | |
| V _{RRM} | Repetitive peak reverse voltage | 600 | 1000 | 1200 | V |
| V _{DRM} | Non-repetitive peak reverse voltage | 720 | 1100 | 1350 | V |
| V _{R (DC)} | Reverse DC voltage | 480 | 800 | 960 | V |

| Symbol | Parameter | Conditions | Ratings | Unit |
|-----------------------------|--|--------------------------------------|------------------------|------------------|
| I _{DC} | DC output current | Resistive load, T _c =75°C | 100 | A |
| I _{FSM} | Surge (non-repetitive) forward current | One half cycle at 60Hz, peak value | 2000 | A |
| I ² _t | I ² _t for fusing | Value for one cycle of surge current | 16.7 × 10 ³ | A ² s |
| T _j | Junction temperature | | -40~150 | °C |
| T _{stg} | Storage temperature | | -40~125 | °C |
| V _{iso} | Isolation voltage | Charged part to case | 2500 | V |
| — | Mounting torque | Main terminal screw M4 | 0.98~1.47 | N·m |
| | | | 10~15 | kg·cm |
| | | Mounting screw M5 | 1.47~1.96 | N·m |
| | | | 15~20 | kg·cm |
| — | Weight | Typical value | 90 | g |

ELECTRICAL CHARACTERISTICS

| Symbol | Parameter | Test conditions | Limits | | | Unit |
|-----------------------|----------------------------|--|--------|------|------|------|
| | | | Min. | Typ. | Max. | |
| I _{RRM} | Repetitive reverse current | T _j =150°C, V _{RRM} applied | — | — | 20 | mA |
| V _{FM} | Forward voltage | T _j =25°C, I _{FM} =100A, instantaneous meas. | — | — | 1.5 | V |
| t _{rr} | Reverse recovery time | I _{FM} =100A, di/dt=-200A/μs, V _R =300/600V*1, T _j =150°C | — | — | 0.8 | μs |
| Q _{rr} | Reverse recovery charge | | — | — | 60 | μC |
| R _{th (j-c)} | Thermal resistance | Junction to case | — | — | 0.5 | °C/W |
| R _{th (c-f)} | Contact thermal resistance | Case to fin, conductive grease applied | — | — | 0.15 | °C/W |

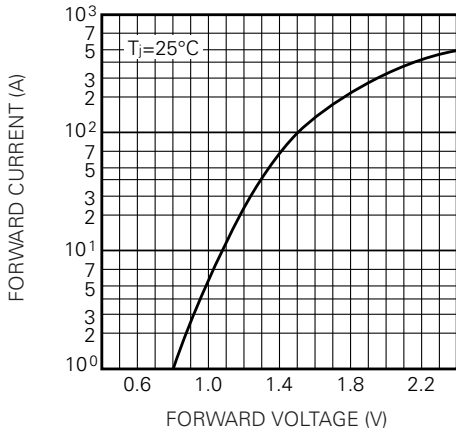
*1 12 class: V_R=300V 20, 24 class: V_R=600V

RM100HA-XXF

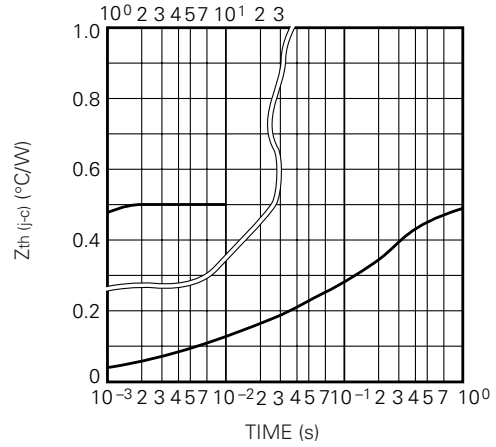
HIGH SPEED SWITCHING USE
INSULATED TYPE

PERFORMANCE CURVE

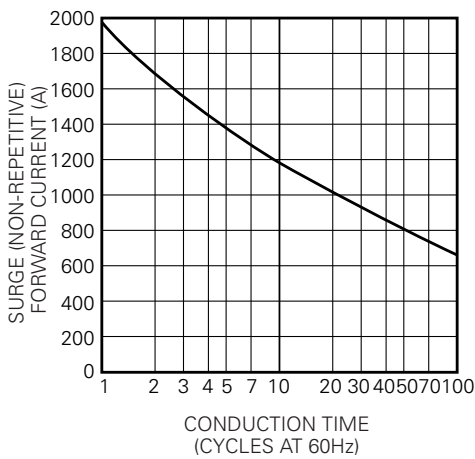
MAXIMUM FORWARD CHARACTERISTIC



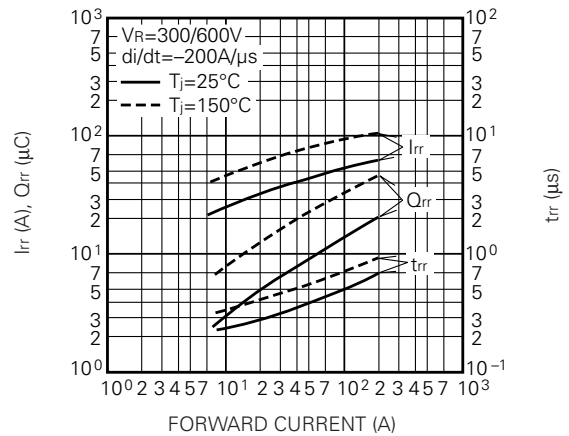
MAXIMUM TRANSIENT THERMAL IMPEDANCE (JUNCTION TO CASE)



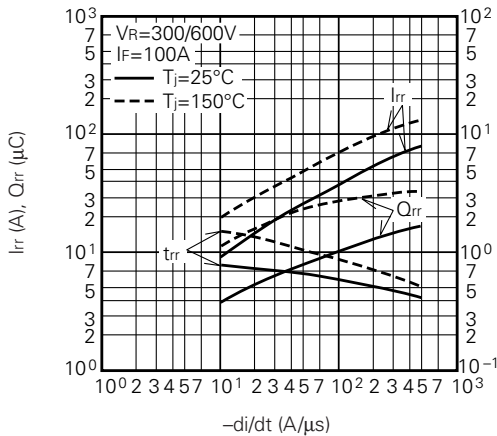
RATED SURGE (NON-REPETITIVE) FORWARD CURRENT



REVERSE RECOVERY CHARACTERISTICS VS. FORWARD CURRENT (TYPICAL)



REVERSE RECOVERY CHARACTERISTICS VS. -di/dt (TYPICAL)



This datasheet has been download from:

www.datasheetcatalog.com

Datasheets for electronics components.