

TOSHIBA ALLOY-FREE REVERSE CONDUCTING THYRISTOR

SHR400R22

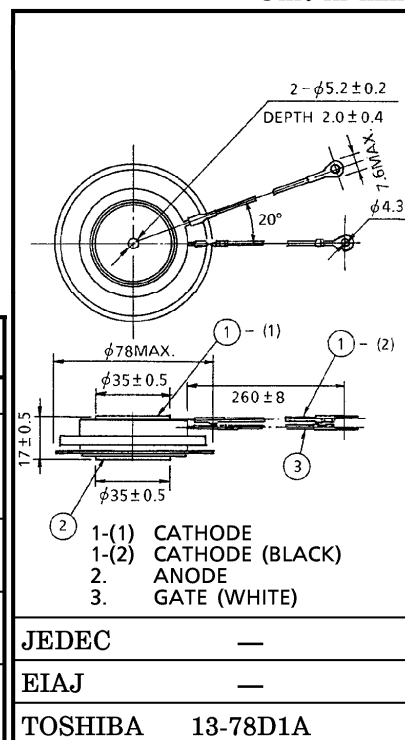
HIGH POWER CONTROL APPLICATIONS

- Repetitive Peak Off-State Voltage : $V_{DRM} = 1300V$
- R.M.S On-State Current : $I_T (RMS) = 630A$
- Turn-Off Time : $t_q = 40\mu s$ (Max.)
- Flat Package

MAXIMUM RATINGS

CHARACTERISTIC	SYMBOL	RATING	UNIT
Repetitive Peak Off-State Voltage	V_{DRM}	1300	V
Non-Repetitive Peak Off-State Voltage (Non-Repetitive < 5ms, $T_j = 0 \sim 115^\circ C$)	V_{DSM}	1300	V
R.M.S On-State Current	$I_T (RMS)$	630	A
R.M.S Reverse Current	$I_R (RMS)$	235	
Average On-State Current	$I_T (AV)$	400	A
Average Reverse Current	$I_R (AV)$	150	
Peak One Cycle Surge On-State Current (Non-Repetitive)	I_{TSM}	7200 (50Hz)	A
		8000 (60Hz)	
Peak One Cycle Surge Reverse Current (Non-Repetitive)	I_{RSM}	2500 (50Hz)	A
		2750 (60Hz)	
I^2t Limit Value	I^2t	200×10^3 (On-Current)	A ² s
		31×10^3 (Reverse Current)	
Critical Rate of Rise of On-State Current	di / dt	100	A / μs
Peak Gate Power Dissipation	P_{GM}	20	W
Average Gate Power Dissipation	$P_G (AV)$	4	W
Peak Forward Gate Current	I_{GM}	4	A
Peak Forward Gate Voltage	V_{FGM}	20	V
Peak Reverse Gate Voltage	V_{RGM}	5	V
Junction Temperature	T_j	-40~115	°C
Storage Temperature Range	T_{stg}	-40~115	°C
Mounting Force	—	1350~1650	kg

Unit in mm



Weight : 260g

961001EAA1

- TOSHIBA is continually working to improve the quality and the reliability of its products. Nevertheless, semiconductor devices in general can malfunction or fail due to their inherent electrical sensitivity and vulnerability to physical stress. It is the responsibility of the buyer, when utilizing TOSHIBA products, to observe standards of safety, and to avoid situations in which a malfunction or failure of a TOSHIBA product could cause loss of human life, bodily injury or damage to property. In developing your designs, please ensure that TOSHIBA products are used within specified operating ranges as set forth in the most recent products specifications. Also, please keep in mind the precautions and conditions set forth in the TOSHIBA Semiconductor Reliability Handbook.
- The information contained herein is presented only as a guide for the applications of our products. No responsibility is assumed by TOSHIBA CORPORATION for any infringements of intellectual property or other rights of the third parties which may result from its use. No license is granted by implication or otherwise under any intellectual property or other rights of TOSHIBA CORPORATION or others.
- The information contained herein is subject to change without notice.

ELECTRICAL CHARACTERISTICS

CHARACTERISTIC	SYMBOL	TEST CONDITION	MIN.	MAX.	UNIT	
Repetitive Peak Off-State Current	I_{DRM}	$V_{DRM} = \text{Rated}, T_j = 115^\circ\text{C}$	—	35	mA	
Peak On-State Voltage	V_{TM}	$I_{TM} = 1250\text{A}, T_j = 25^\circ\text{C}$	—	3.0	V	
Peak Reverse Voltage	V_{RM}	$I_{RM} = 500\text{A}, T_j = 25^\circ\text{C}$	—	2.5		
Gate Trigger Voltage	V_{GT}	$V_D = 6\text{V}, R_L = 6\Omega$	$T_c = -40^\circ\text{C}$	—	4.5	V
			$T_c = 25^\circ\text{C}$	—	3.0	
Gate Trigger Current	I_{GT}		$T_c = -40^\circ\text{C}$	—	400	mA
			$T_c = 25^\circ\text{C}$	—	200	
Gate Non-Trigger Voltage	V_{GD}	$V_D = 1/2 \text{ Rated}, T_j = 115^\circ\text{C}$	0.15	—	V	
Gate Non-Trigger Current	I_{GD}		1.5	—	mA	
Delay Time	t_d	$V_D = 1/2 \text{ Rated}, T_j = 25^\circ\text{C},$ Gate Supply ($V_G = 15\text{V}, R_G = 8\Omega, t_r \leq 1\mu\text{s}$)	—	4	μs	
Gate Turn-On Time	t_{gt}		—	6	μs	
Turn-Off Time	t_q	$I_{TM} = 400\text{A}, I_R = 10\text{A},$ $V_{DRM} = 1/2 \text{ Rated},$ $dv/dt (C) = 200\text{V} / \mu\text{s}, T_j = 115^\circ\text{C}$	—	40	μs	
Holding Current	I_H	$T_j = 25^\circ\text{C}, R_L = 6\Omega$	—	500	mA	
Critical Rate of Rise of Commutating OFF-State Voltage	$dv/dt (C)$	$I_{TM} = 2000\text{A}, I_{RM} = 1000\text{A},$ $V_{DRM} = 1/2 \text{ Rated},$ Pulse width $60\mu\text{s}, T_j = 115^\circ\text{C}$	200	—	$\text{V} / \mu\text{s}$	
Thermal Resistance (Junction to Case)	$R_{th(j-f)}$	DC	—	0.04	$^\circ\text{C} / \text{W}$	
Critical Rate of Rise of Off-State Voltage	dv/dt	$V_D = 650\text{V}, T_j = 115^\circ\text{C},$ Gate Open, Exponential Rise	1000	—	$\text{V} / \mu\text{s}$	

