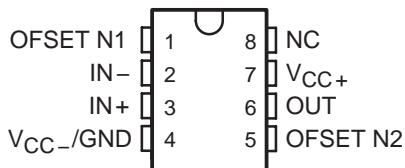


# TL3x071, TL3x071A, TL3x072, TL3x072A, TL3x074, TL3x074A HIGH-SLEW-RATE, SINGLE-SUPPLY OPERATIONAL AMPLIFIERS

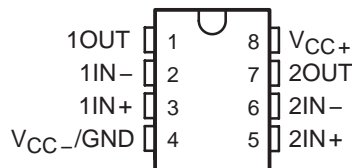
SLOS097C – MARCH 1991 – REVISED AUGUST 1996

- Wide Gain-Bandwidth Product . . . 4.5 MHz
- High Slew Rate . . . 13 V/ $\mu$ s
- Fast Settling Time . . . 1.1  $\mu$ s to 0.1%
- Wide-Range Single-Supply Operation  
4 V to 44 V
- Wide Input Common-Mode Range Includes  
Ground ( $V_{CC-}$ )
- Low Total Harmonic Distortion . . . 0.02%
- Low Input Offset Voltage . . . 3 mV Max  
(A Suffix)
- Large Output Voltage Swing  
–14.7 V to 14 V (With  $\pm$ 15-V Supplies)
- Large Capacitance Drive Capability  
10,000 pF
- Excellent Phase Margin . . . 60°
- Excellent Gain Margin . . . 12 dB
- Output Short-Circuit Protection

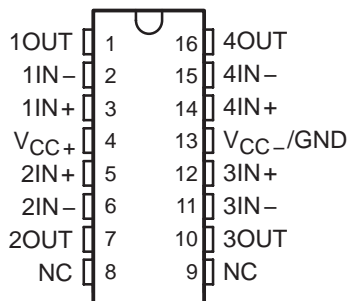
D OR P PACKAGE  
(SINGLE, TOP VIEW)



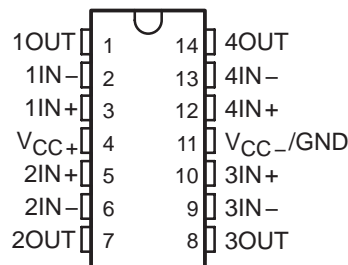
D OR P PACKAGE  
(DUAL, TOP VIEW)



DW PACKAGE  
(QUAD, TOP VIEW)



N PACKAGE  
(QUAD, TOP VIEW)



NC – No internal connection

## AVAILABLE OPTIONS

$T_A$	COMPLEXITY	PACKAGE			
		PLASTIC DIP		SMALL OUTLINE	
		STANDARD GRADE	PRIME GRADE	STANDARD GRADE	PRIME GRADE
0°C to 70°C	Single Dual Quad	TL34071P TL34072P TL34074N	TL34071AP TL34072AP TL34074AN	TL34071D TL34072D TL34074DW	TL34071AD TL34072AD TL34074ADW
–40°C to 105°C	Single Dual Quad	TL33071P TL33072P TL33074N	TL33071AP TL33072AP TL33074AN	TL33071D TL33072D TL33074DW	TL33071AD TL33072AD TL33074ADW
–55°C to 125°C	Single Dual Quad	TL35071P TL35072P TL35074N	TL35071AP TL35072AP TL35074AN	TL35071D TL35072D TL35074DW	TL35071AD TL35072AD TL35074ADW

D and DW packages are available taped and reeled. Add R suffix to device type (e.g., TL34071ADR).



Please be aware that an important notice concerning availability, standard warranty, and use in critical applications of Texas Instruments semiconductor products and disclaimers thereto appears at the end of this data sheet.

PRODUCTION DATA information is current as of publication date. Products conform to specifications per the terms of Texas Instruments standard warranty. Production processing does not necessarily include testing of all parameters.

 **TEXAS  
INSTRUMENTS**

POST OFFICE BOX 655303 • DALLAS, TEXAS 75265  
POST OFFICE BOX 1443 • HOUSTON, TEXAS 77251-1443

Copyright © 1996, Texas Instruments Incorporated

# TL3x071, TL3x071A, TL3x072, TL3x072A, TL3x074, TL3x074A HIGH-SLEW-RATE, SINGLE-SUPPLY OPERATIONAL AMPLIFIERS

SLOS097C – MARCH 1991 – REVISED AUGUST 1996

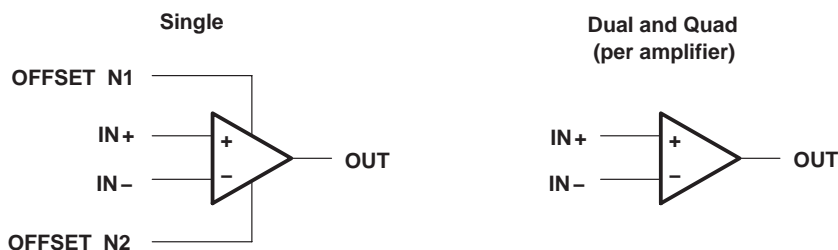
---

## description

Quality, low cost, bipolar fabrication with innovative design concepts are employed for the TL33071/2/4, TL34071/2/4, and TL35071/2/4 series of monolithic operational amplifiers. This series of operational amplifiers offers 4.5 MHz of gain bandwidth product, 13 V/ $\mu$ s slew rate, and fast settling time without the use of JFET device technology. Although this series can be operated from split supplies, it is particularly suited for single-supply operation since the common-mode input voltage range includes ground potential ( $V_{CC-}$ ). With a Darlington transistor input stage, this series exhibits high input resistance, low input offset voltage, and high gain. The all-npn output stage, characterized by no dead-band crossover distortion and large output voltage swing, provides high-capacitance drive capability, excellent phase and gain margins, low open-loop high-frequency output impedance, and symmetrical source/sink ac frequency response.

The TL34071/2/4 devices are available in standard or prime performance (A-suffix) grades and are specified over the commercial (0°C to 70°C) temperature range. The TL33071/2/4 devices are available in standard or prime performance (A-suffix) grades and are specified over industrial/vehicular (-40°C to 105°C) temperature range. The TL35071/2/4 devices are available in standard or prime performance (A-suffix) grades and are specified over the military (-55°C to 125°C) temperature range. These low-cost amplifiers are available in single, dual, and quad configurations and are pin compatible with the MC33071/2/4, MC34071/2/4, and MC35071/2/4 series of amplifiers. Packaging options include standard plastic DIP and SO packages.

## symbol



# TL3x071, TL3x071A, TL3x072, TL3x072A, TL3x074, TL3x074A HIGH-SLEW-RATE, SINGLE-SUPPLY OPERATIONAL AMPLIFIERS

SLOS097C – MARCH 1991 – REVISED AUGUST 1996

## absolute maximum ratings over operating free-air temperature range (unless otherwise noted)†

Supply voltage, $V_{CC+}$ (see Note 1)	22 V
Supply voltage, $V_{CC-}$	–22 V
Differential input voltage, $V_{ID}$ (see Note 2)	±44 V
Input voltage, $V_I$ (any input)	$V_{CC\pm}$
Input current, $I_I$ (each input)	±1 mA
Output current, $I_O$	±80 mA
Total current into $V_{CC+}$	80 mA
Total current out of $V_{CC-}$	80 mA
Duration of short-circuit current at (or below) 25°C (see Note 3)	unlimited
Continuous total power dissipation	See Dissipation Rating Table
Operating free-air temperature range, $T_A$ : TL3307x	–40°C to 105°C
TL3407x	0°C to 70°C
TL3507x	–55°C to 125°C
Storage temperature range, $T_{stg}$	–65°C to 150°C
Lead temperature 1.6 mm (1/16 inch) from case for 10 seconds: D, DW, N, or P package	260°C

† Stresses beyond those listed under “absolute maximum ratings” may cause permanent damage to the device. These are stress ratings only, and functional operation of the device at these or any other conditions beyond those indicated under “recommended operating conditions” is not implied. Exposure to absolute-maximum-rated conditions for extended periods may affect device reliability.

- NOTES:
1. All voltage values, except differential voltages, are with respect to the midpoint between  $V_{CC+}$  and  $V_{CC-}$ .
  2. Differential voltages are at the noninverting input with respect to the inverting input. Excessive current flows if input is brought below  $V_{CC-} - 0.3$  V.
  3. The output can be shorted to either supply. Temperature and/or supply voltages must be limited to ensure that the maximum dissipation rating is not exceeded.

**DISSIPATION RATING TABLE**

PACKAGE	$T_A \leq 25^\circ\text{C}$	DERATING FACTOR ABOVE $T_A = 25^\circ\text{C}$	$T_A = 70^\circ\text{C}$	$T_A = 105^\circ\text{C}$	$T_A = 125^\circ\text{C}$
	POWER RATING		POWER RATING	POWER RATING	POWER RATING
D	725 mW	5.8 mW/°C	464 mW	261 mW	145 mW
DW	1025 mW	8.2 mW/°C	656 mW	369 mW	205 mW
N	1150 mW	9.2 mW/°C	736 mW	414 mW	230 mW
P	1000 mW	8.0 mW/°C	640 mW	360 mW	200 mW

## recommended operating conditions

	TL3307x		TL3407x		TL3507x		UNIT
	MIN	MAX	MIN	MAX	MIN	MAX	
Supply voltage, $V_{CC\pm}$	±2	±22	±2	±22	±2	±22	V
Common-mode input voltage, $V_{IC}$	$V_{CC} = 5$ V		0	2.7	0	2.9	V
	$V_{CC\pm} = \pm 15$ V		–15	12.7	–15	12.9	
Operating free-air temperature, $T_A$	–40	105	0	70	–55	125	°C



# TL3x071, TL3x071A, TL3x072, TL3x072A, TL3x074, TL3x074A HIGH-SLEW-RATE, SINGLE-SUPPLY OPERATIONAL AMPLIFIERS

SLOS097C – MARCH 1991 – REVISED AUGUST 1996

electrical characteristics at specified free-air temperature,  $V_{CC\pm} = \pm 15\text{ V}$  (unless otherwise noted)

PARAMETER	TEST CONDITIONS	$T_A$ †	TL3x07xA			TL3x07x			UNIT
			MIN	TYP‡	MAX	MIN	TYP‡	MAX	
$V_{IO}$ Input offset voltage	$V_{CC} = 5\text{ V}$	25°C	0.5	3		1.5	5	mV	
		25°C	0.5	3		1.0	5		
$\alpha V_{IO}$ Temperature coefficient of input offset voltage	$V_{IC} = 0,$ $V_O = 0,$ $R_S = 50\ \Omega$	Full range				7			$\mu\text{V}/^\circ\text{C}$
						10			
$I_{IO}$ Input offset current	$V_{CC} = \pm 15\text{ V}$	25°C	7	100		7	100	nA	
		Full range				250			
$I_{IB}$ Input bias current	$V_{CC} = 5\text{ V}$	25°C	-0.8	-2		-0.8	-2	$\mu\text{A}$	
		Full range				-2.3			
	$V_{CC} = \pm 15\text{ V}$	25°C	-0.7	-1.5		-0.7	-1.5		
		Full range				-1.8			
$V_{ICR}$ Common-mode input voltage range	$R_S = 50\ \Omega$	25°C	-15 to 13.2		-15 to 13.2		V		
		Full range	-15 to 12.8		-15 to 12.8				
$V_{OH}$ High-level output voltage	$V_{CC+} = 5\text{ V}, V_{CC-} = 0,$ $R_L = 2\text{ k}\Omega$	25°C	3.7	4		3.7	4	V	
	$R_L = 10\text{ k}\Omega$	25°C	13.6	14		13.6	14		
	$R_L = 2\text{ k}\Omega$	Full range				13.4			
$V_{OL}$ Low-level output voltage	$V_{CC+} = 5\text{ V}, V_{CC-} = 0,$ $R_L = 2\text{ k}\Omega$	25°C	0.1	0.3		0.1	0.3	V	
	$R_L = 10\text{ k}\Omega$	25°C	-14.7	-14.3		-14.7	-14.3		
	$R_L = 2\text{ k}\Omega$	Full range				-13.5			
$AVD$ Large-signal differential voltage amplification	$V_O = \pm 10\text{ V}, R_L = 2\text{ k}\Omega$	25°C	50	100		25	100	V/mV	
		Full range				20			
$I_{OS}$ Short-circuit output current	Source: $V_{ID} = 1\text{ V}, V_O = 0$	25°C	-10	-30		-10	-30	mA	
	Sink: $V_{ID} = -1\text{ V}, V_O = 0$		20	30		20	30		
$CMRR$ Common-mode rejection ratio	$V_{IC} = V_{ICRmin},$ $R_S = 50\ \Omega$	25°C	80	97		70	97	dB	
$k_{SVR}$ Supply-voltage rejection ratio ( $\Delta V_{CC\pm}/\Delta V_{IO}$ )	$V_{CC\pm} = \pm 13.5\text{ V}$ to $\pm 16.5\text{ V}, R_S = 100\ \Omega$	25°C	80	97		70	97	dB	
$I_{CC}$ Supply current (per channel)	$V_O = 0,$ No Load	25°C	3.5	4.5		3.5	4.5	mA	
		Full range				4.7			
	$V_{CC+} = 5\text{ V}, V_{CC-} = 0,$ $V_O = 0,$ No Load	25°C	3.4	4.4		3.4	4.4		
		Full range				4.6			

† Full range is 0°C to 70°C for the TL3407x devices, and -40°C to 105°C for the TL3307x devices, and -55°C to 125°C for the TL3507x devices.  
‡ All typical values are at  $T_A = 25^\circ\text{C}$ .



# TL3x071, TL3x071A, TL3x072, TL3x072A, TL3x074, TL3x074A HIGH-SLEW-RATE, SINGLE-SUPPLY OPERATIONAL AMPLIFIERS

SLOS097C – MARCH 1991 – REVISED AUGUST 1996

operating characteristics,  $V_{CC\pm} = \pm 15\text{ V}$ ,  $T_A = 25^\circ\text{C}$

PARAMETER		TEST CONDITIONS		TL3x07xA			TL3x07x			UNIT
				MIN	TYP	MAX	MIN	TYP	MAX	
SR+	Positive slew rate	$V_I = -10\text{ V to }10\text{ V}$ , $R_L = 2\text{ k}\Omega$	$A_V = 1$	8	10		8	10	V/ $\mu$ s	
SR-	Negative slew rate		$A_V = -1$		13		13			
$t_s$	Settling time	$A_{VD} = -1$ , 10-V step	$T_o = 0.1\%$		1.1		1.1		$\mu$ s	
			$T_o = 0.01\%$		2.2		2.2			
$V_n$	Equivalent input noise voltage	$f = 1\text{ kHz}$ , $R_S = 100\ \Omega$		32		32		nV/ $\sqrt{\text{Hz}}$		
$I_n$	Equivalent input noise current	$f = 1\text{ kHz}$		0.22		0.22		pA/ $\sqrt{\text{Hz}}$		
THD	Total harmonic distortion	$V_O = 2\text{ V to }20\text{ V}$ , $R_L = 2\text{ k}\Omega$ , $A_{VD} = 10$ , $f = 10\text{ kHz}$		0.02		0.02		%		
GBW	Gain-bandwidth product	$f = 100\text{ kHz}$	3.5	4.5		3.5	4.5	MHz		
BW	Power bandwidth	$R_L = 2\text{ k}\Omega$ , $V_{O(PP)} = 20\text{ V}$ , $A_{VD} = 1$ , THD = 5.0%		200		200		kHz		
$\phi_m$	Phase margin	$R_L = 2\text{ k}\Omega$ , $C_L = 0$		60°		60°				
		$R_L = 2\text{ k}\Omega$ , $C_L = 300\text{ pF}$		40°		40°				
	Gain margin	$R_L = 2\text{ k}\Omega$ , $C_L = 0$		12		12		dB		
		$R_L = 2\text{ k}\Omega$ , $C_L = 300\text{ pF}$		4		4				
$r_i$	Differential input resistance	$V_{IC} = 0$		150		150		M $\Omega$		
$C_i$	Input capacitance	$V_{IC} = 0$		2.5		2.5		pF		
	Channel separation	$f = 10\text{ kHz}$		120		120		dB		
$z_o$	Open-loop output impedance	$f = 1\text{ MHz}$		30		30		$\Omega$		



## IMPORTANT NOTICE

Texas Instruments Incorporated and its subsidiaries (TI) reserve the right to make corrections, modifications, enhancements, improvements, and other changes to its products and services at any time and to discontinue any product or service without notice. Customers should obtain the latest relevant information before placing orders and should verify that such information is current and complete. All products are sold subject to TI's terms and conditions of sale supplied at the time of order acknowledgment.

TI warrants performance of its hardware products to the specifications applicable at the time of sale in accordance with TI's standard warranty. Testing and other quality control techniques are used to the extent TI deems necessary to support this warranty. Except where mandated by government requirements, testing of all parameters of each product is not necessarily performed.

TI assumes no liability for applications assistance or customer product design. Customers are responsible for their products and applications using TI components. To minimize the risks associated with customer products and applications, customers should provide adequate design and operating safeguards.

TI does not warrant or represent that any license, either express or implied, is granted under any TI patent right, copyright, mask work right, or other TI intellectual property right relating to any combination, machine, or process in which TI products or services are used. Information published by TI regarding third-party products or services does not constitute a license from TI to use such products or services or a warranty or endorsement thereof. Use of such information may require a license from a third party under the patents or other intellectual property of the third party, or a license from TI under the patents or other intellectual property of TI.

Reproduction of TI information in TI data books or data sheets is permissible only if reproduction is without alteration and is accompanied by all associated warranties, conditions, limitations, and notices. Reproduction of this information with alteration is an unfair and deceptive business practice. TI is not responsible or liable for such altered documentation. Information of third parties may be subject to additional restrictions.

Resale of TI products or services with statements different from or beyond the parameters stated by TI for that product or service voids all express and any implied warranties for the associated TI product or service and is an unfair and deceptive business practice. TI is not responsible or liable for any such statements.

TI products are not authorized for use in safety-critical applications (such as life support) where a failure of the TI product would reasonably be expected to cause severe personal injury or death, unless officers of the parties have executed an agreement specifically governing such use. Buyers represent that they have all necessary expertise in the safety and regulatory ramifications of their applications, and acknowledge and agree that they are solely responsible for all legal, regulatory and safety-related requirements concerning their products and any use of TI products in such safety-critical applications, notwithstanding any applications-related information or support that may be provided by TI. Further, Buyers must fully indemnify TI and its representatives against any damages arising out of the use of TI products in such safety-critical applications.

TI products are neither designed nor intended for use in military/aerospace applications or environments unless the TI products are specifically designated by TI as military-grade or "enhanced plastic." Only products designated by TI as military-grade meet military specifications. Buyers acknowledge and agree that any such use of TI products which TI has not designated as military-grade is solely at the Buyer's risk, and that they are solely responsible for compliance with all legal and regulatory requirements in connection with such use.

TI products are neither designed nor intended for use in automotive applications or environments unless the specific TI products are designated by TI as compliant with ISO/TS 16949 requirements. Buyers acknowledge and agree that, if they use any non-designated products in automotive applications, TI will not be responsible for any failure to meet such requirements.

Following are URLs where you can obtain information on other Texas Instruments products and application solutions:

### Products

Amplifiers	<a href="http://amplifier.ti.com">amplifier.ti.com</a>
Data Converters	<a href="http://dataconverter.ti.com">dataconverter.ti.com</a>
DSP	<a href="http://dsp.ti.com">dsp.ti.com</a>
Clocks and Timers	<a href="http://www.ti.com/clocks">www.ti.com/clocks</a>
Interface	<a href="http://interface.ti.com">interface.ti.com</a>
Logic	<a href="http://logic.ti.com">logic.ti.com</a>
Power Mgmt	<a href="http://power.ti.com">power.ti.com</a>
Microcontrollers	<a href="http://microcontroller.ti.com">microcontroller.ti.com</a>
RFID	<a href="http://www.ti-rfid.com">www.ti-rfid.com</a>
RF/IF and ZigBee® Solutions	<a href="http://www.ti.com/lprf">www.ti.com/lprf</a>

### Applications

Audio	<a href="http://www.ti.com/audio">www.ti.com/audio</a>
Automotive	<a href="http://www.ti.com/automotive">www.ti.com/automotive</a>
Broadband	<a href="http://www.ti.com/broadband">www.ti.com/broadband</a>
Digital Control	<a href="http://www.ti.com/digitalcontrol">www.ti.com/digitalcontrol</a>
Medical	<a href="http://www.ti.com/medical">www.ti.com/medical</a>
Military	<a href="http://www.ti.com/military">www.ti.com/military</a>
Optical Networking	<a href="http://www.ti.com/opticalnetwork">www.ti.com/opticalnetwork</a>
Security	<a href="http://www.ti.com/security">www.ti.com/security</a>
Telephony	<a href="http://www.ti.com/telephony">www.ti.com/telephony</a>
Video & Imaging	<a href="http://www.ti.com/video">www.ti.com/video</a>
Wireless	<a href="http://www.ti.com/wireless">www.ti.com/wireless</a>

Mailing Address: Texas Instruments, Post Office Box 655303, Dallas, Texas 75265  
Copyright © 2008, Texas Instruments Incorporated