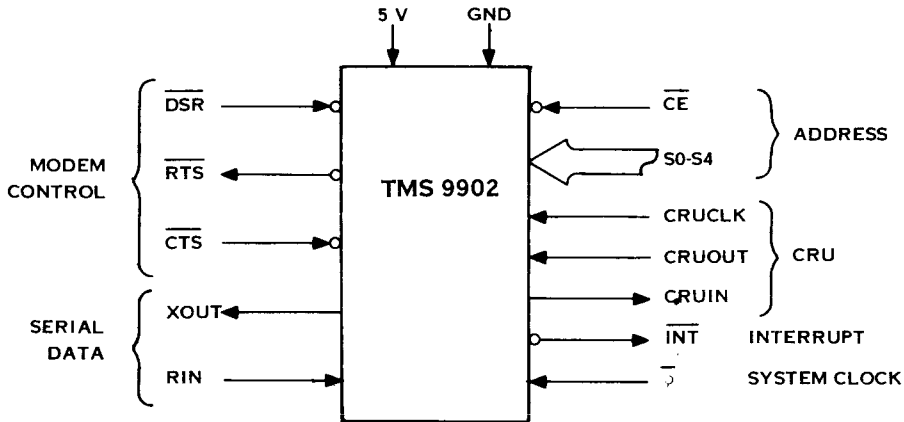


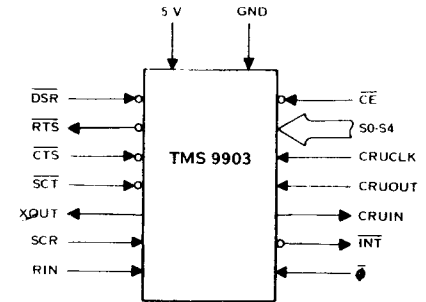
TMS 9902 ASYNCHRONOUS COMMUNICATIONS CONTROLLER



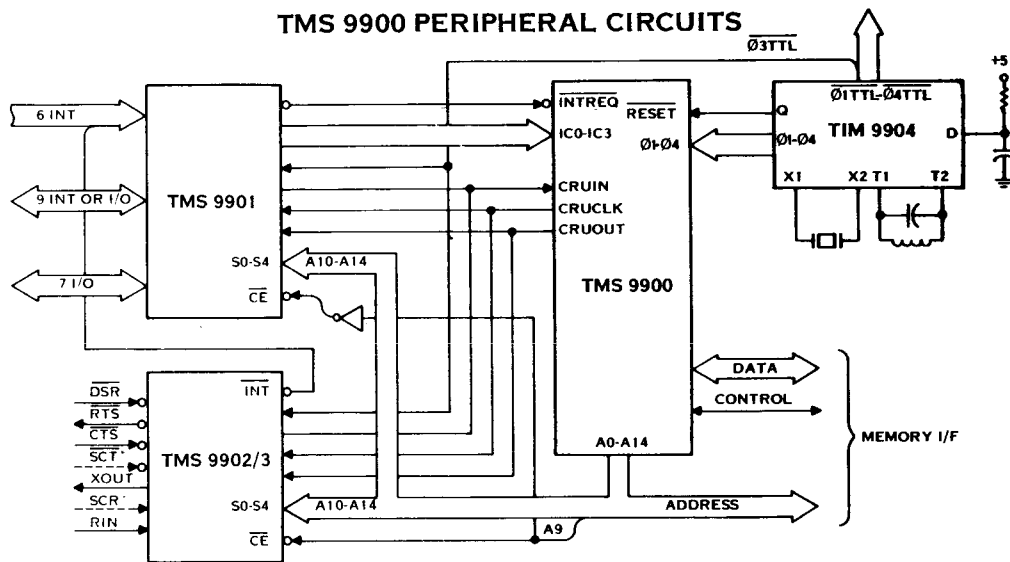
- CRU peripheral for TMS 9900, TMS 9980A/81 and TMS 9940
- Provides interface to asynchronous modem or terminal
- Programmable data rate for any rate up to 250K BPS
- Programmable character length (5-8 bits). Stop bits (1, 1 1/2, 2). Parity (odd, even, none)
- On-chip interval timer (64 Microseconds to 16.32 Milliseconds)
- Socket compatible with TMS 9903
- Single 5 V supply
- N-channel Silicon-gate process
- 18-pin dip
- Replaces 45 SSI and MSI packages

TMS 9903 SYNCHRONOUS COMMUNICATIONS CONTROLLER

TMS 9903 KEY FEATURES



- CRU peripheral for TMS 9900, TMS 9980A/81 and TMS 9940
- Provides interface to synchronous modem and other serial devices
- DC to 500K BPS data rate
- Allows interface to unlocked data with 32X clocks
- Line protocols include BI-SYNC, SDLC, HDLC, ADCCP, ATA/IATA
- Dynamic character length selection
- Two programmable sync registers
- Automatic zero insert and delete for SDLC, HDLC, ADCCP
- CRC generation and detection (programmable polynomial)
- On-chip interval timer (64 μ s to 16.32 ms)
- Socket compatible with TMS 9902
- Single 5V supply. 20 pin dip
- Replaces 100 SSI and MSI packages



TMS 9903 ONLY