

## POWER DIODE MODULE

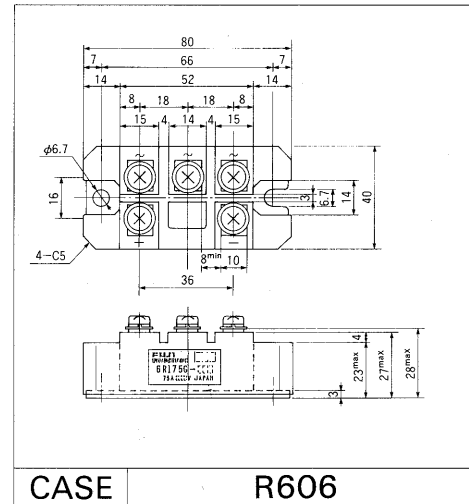
### Features

- All the terminals and the mounting plate are electrically isolated. These modules can be installed in the same cooling fin as other modules, thus saving installation space – a cost-effective feature.
- The diode chips are coated with a glass of zinc oxide, making them highly resistant to temperature and humidity variation.
- 6 diode chips are connected to the 3-phase bridge rectifying circuit inside the module—a cost-effective feature.

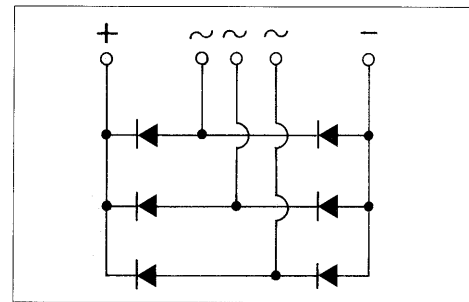
### Applications

- Inverters for AC motors
- Power supply units for DC motors
- DC power supply units for battery chargers
- General purpose DC power supply units

### Outline Drawings



### Inner Circuit Schematic



### Maximum Ratings and Characteristics

#### Absolute Maximum Ratings

Items	Symbols	Conditions	6R175G		Units
			-120	-160	
Repetitive peak reverse voltage	$V_{RRM}$		1200	1600	V
Non-repetitive peak reverse voltage	$V_{RSM}$		1320	1760	V
Average output current	$I_O$	50/60 Hz Sinewave, $T_C = 93^\circ\text{C}$	75		A
Surge current	$I_{FSM}$	Rated load conditions	1000		A
$I_t^2$	$I_t^2$	Rated load conditions	4000		A <sup>2</sup> s
Junction temperature	$T_j$		-40 ~ +150		°C
Storage temperature	$T_{stg}$		-40 ~ +125		°C
Tightening torque		Mounting screw: M5	25 ± 5		kg·cm
Vibration resistance			5		G
Dielectric strength		Between terminals and base	2500 VAC 1 min		
Net. Weight			230		g

#### Electrical Characteristics

Items	Symbols	Conditions	Min	Typ	Max	Units
Forward voltage	$V_{FM}$	$T_j = 25^\circ\text{C}$ , $I_{FM} = 75\text{ A}$			1.30	V
Reverse current	$I_{RRM}$	$T_j = 150^\circ\text{C}$ , $V_R = V_{RRM}$			15	mA

#### Thermal Characteristics

Items	Symbols	Conditions	Min	Typ	Max	Units
Thermal resistance (Junction to case)	$R_{th(j-c)}$	50/60 Hz Sinewave, Thermal resistance for total loss			0.30	°C/W
Thermal resistance	$R_{th(c-f)}$	With thermal compound			0.06	°C/W